



Right Angle Check Valve In-Line Check Valve

84.5 gpm
3045 psi

Features

The right angle type check valve changes the flow direction of fluid 90 degrees, while the in-line check valve allows only axial direction flow.

The cracking pressures of these valves are fixed, so fluid passes freely in one direction, but is restricted from flowing in the opposite direction.

Specifications

	Model No.		Nominal Diameter (Size)	Maximum Working Pressure psi	Maximum Flow Rate gpm	Cracking Pressure psi	Weight lbs	
	Screw Mounting	Gasket Mounting					T Type	G Type
Right Angle Check Valve	CA-T03-1-20 2 3	CA-G03-1-20 2 3	3/8	3045	10.5	5.8 50 72	2.2	3.9
	CA-T06-1-20 2 3	CA-G06-1-20 2 3	3/4		29	5.8 50 72	4.8	8.5
	CA-T10-1-20 2 3	CA-G10-1-20 2 3	1 1/4		84.5	5.8 50 72	8.8	13.4
In-line Check Valve	CN-T03-1-11 2 3	-	3/8		7.9	5.8 50 72	.8	-
	CN-T06-1-11 2 3		3/4		19.8	5.8 50 72	1.5	
	CN-T10-1-11 2 3		1 1/4		50	5.8 50 72	4.8	

• Handling

- 1 Use the following table for specification when a sub plate is required.
- 2 The following are the bundled mounting bolts.

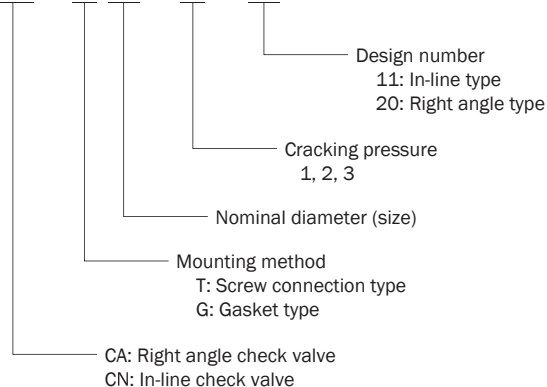
Model No.	Pipe Diameter	Recommended Flow Rate gpm	Weight lbs	Applicable Valve Type
MCA-03-20	3/8	10.5	3	CA-G03-*-20
MCA-06-20	3/4	29	7.7	CA-G06-*-20
MCA-10-20	1 1/4	84.5	13.4	CA-G10-*-20

Model No.	Bolt Dimensions	Q'ty	Tightening Torque ft lbs
CA-G03-*-20	M8 × 45 ℓ	4	14.7 to 18.4
CA-G06-*-20	M16 × 65 ℓ	4	140 to 173
CA-G10-*-20	M20 × 75 ℓ	4	272 to 339

Note: For mounting bolts, use 12T or equivalent.

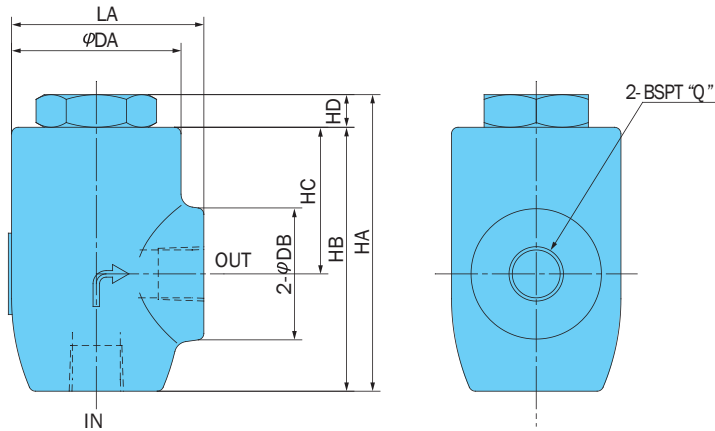
Understanding Model Numbers

CA - T 03 - 1 - 20



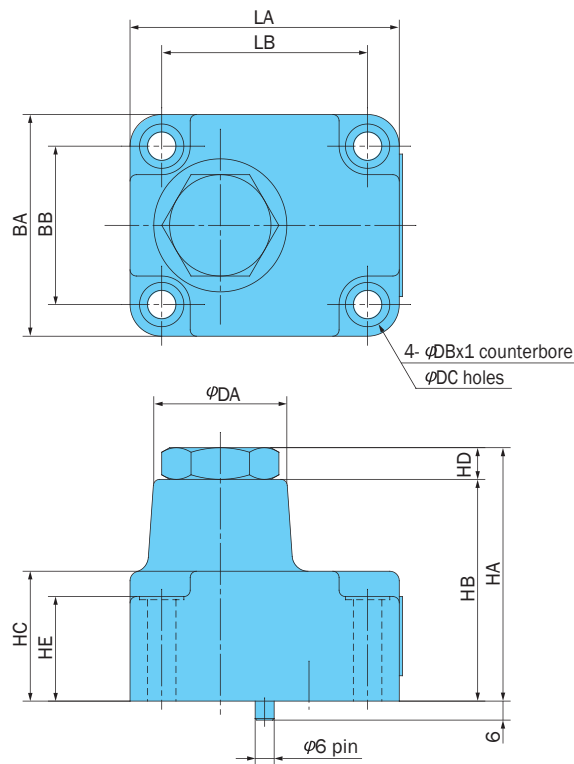
Installation Dimension Drawings

CA-T**-20(Screw Mounting)

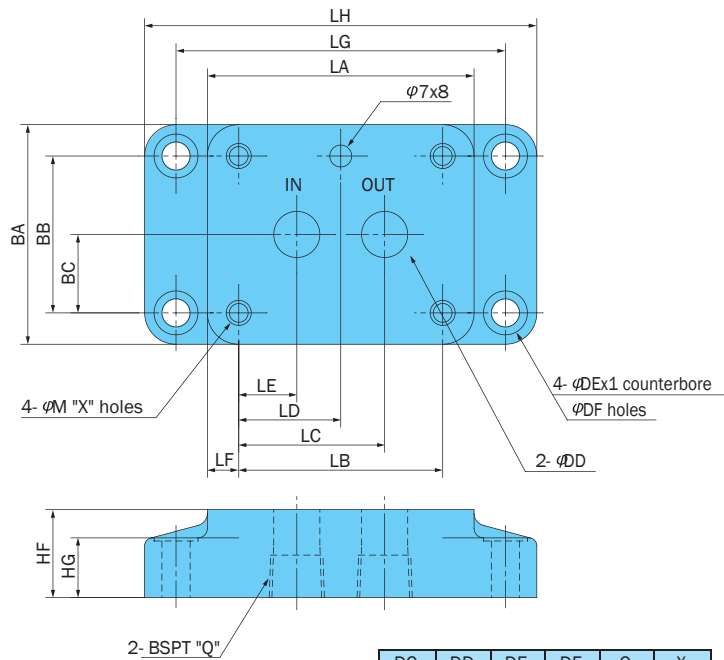


Model No.	LA	HA	HB	HC	HD	DA	DB	Q
CA-T03*-20	59	91	81	45	10	52	40	3/8
CA-T06*-20	72	106	96	55	10	60	45	3/4
CA-T10*-20	96	139	127	70	12	80	62	1 1/4

CA-G**-20(Gasket Mounting)



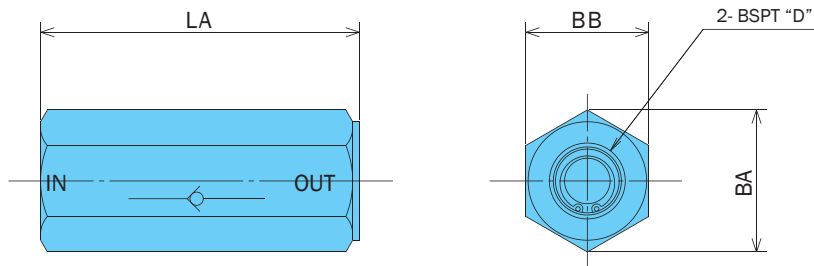
Sub Plate MCA**-20



DC	DD	DE	DF	Q	X
9	14.7	14	9	3/8	8
17	23	20	14	3/4	16
22	30	20	14	1 1/4	20

Model No.	LA	LB	LC	LD	LE	LF	LG	LH	BA	BB	BC	HA	HB	HC	HD	HE	HF	HG	DA	DB
CA-G03*-20	86	65	46.5	32.5	18.5	10.5	105	125	71	50	25	80	70	41	10	33	28	19	42	14
CA-G06*-20	117	81	68.2	40.5	22.2	18	140	172	101	65	32.5	98	88	58	10	43	31	19	52	26
CA-G10*-20	133	92	71.4	46	20.6	20.5	152	187	133	92	46	119	107	65	12	46	40	28	68	32

CN-T**-11(Screw Mounting)



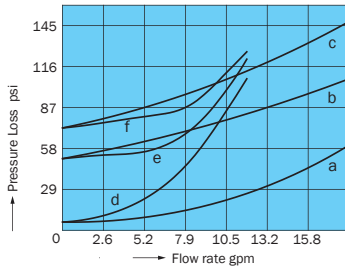
Model No.	LA	BA	BB	D
CN-T03*-11	70	31.2	27	3/8
CN-T06*-11	95	43.9	38	3/4
CN-T10*-11	130	69.3	60	1 1/4

Performance Curves

Hydraulic Operating Fluid Viscosity 32 centistokes

Pressure Loss Characteristics

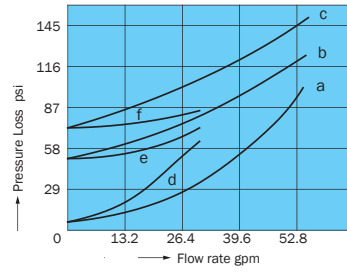
CA-*03 CN-T03



Applicable Valve Type

- a. CA-*03-1-20
- b. CA-*03-2-20
- c. CA-*03-3-20
- d. CN-T03-1-11
- e. CN-T03-2-11
- f. CN-T03-3-11

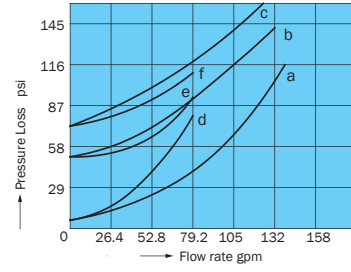
CA-*06 CN-T06



Applicable Valve Type

- a. CA-*06-1-20
- b. CA-*06-2-20
- c. CA-*06-3-20
- d. CN-T06-1-11
- e. CN-T06-2-11
- f. CN-T06-3-11

CA-*10 CN-T10

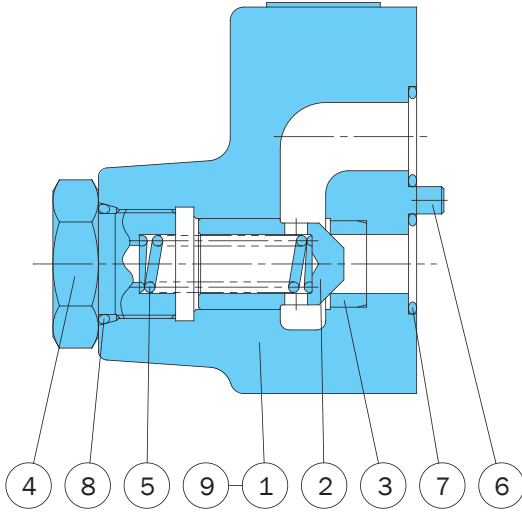


Applicable Valve Type

- a. CA-*10-1-20
- b. CA-*10-2-20
- c. CA-*10-3-20
- d. CN-T10-1-11
- e. CN-T10-2-11
- f. CN-T10-3-11

Cross-sectional Drawing

CA-G**-*-20



Part No.	Part Name
1	Body
2	Poppet
3	Seat
4	Plug
5	Spring
6	Pin
7	O-ring
8	O-ring
9	Nameplate

Seal Part List (Kit Model Number DAS-***)

Part No.	Part Name	Type/Part Number			Qty
		CA-G03	CA-G06	CA-G10	
7	O-ring	1B-P18	1B-G30	1B-G40	2
8	O-ring	1B-P22	1B-P30	1B-P42	1

Note: O-ring 1B-** refers to JIS B2401-1B-**,
*** in the kit number is used for specification of the valve size (G03, G06, G10, etc.)