

IPH Series Double IP Pump

.21 to 7.68 in³/rev
4350 psi

All the types in this new design (11D) series are installation compatible with the previous design (10D). Note, however, that there is no longer compatibility for some of the seal components between the IPH-3 and IPH-4 sizes and the 3 and 4 sizes.

Features

Configured with the high-pressure, low-noise IPH Series and IP pumps, these double pumps greatly expand

the range of application for the IP pump.
A wide selection of pump combinations

provides options that are perfect for just about any type of application imaginable.

Specifications

Model No.	Discharge Rate (1200min ⁻¹ No-load)		Revolution Speed		Operating Pressure MPa (psi)	Required Power at 1200min ⁻¹ , 3045 psi hp
	Vent Side gpm	Shaft Side gpm	Min. min ⁻¹	Max. min ⁻¹		
IPH-22B-**-*(*)-11	1.1 to 2.5	4.3 to 9.8	600	2000	Rated: 21 (3045) Max: 30 (4350)	10.7
IPH-23B		12.2 to 18.9				15.5
IPH-24B		24.8 to 38.7				26.1
IPH-25B		48.9 to 76.6				46.2
IPH-26B		97.5 to 151.0				85.8
IPH-33B	3.2 to 4.9	12.2 to 18.9	500	2000		20.5
IPH-34B		24.8 to 38.7				30.9
IPH-35B		48.9 to 76.6				51.0
IPH-36B		97.5 to 151.0				90.7
IPH-44B	6.5 to 10.2	24.8 to 38.7	400	2000		41.5
IPH-45B		48.9 to 76.6			61.6	
IPH-46B		97.5 to 151.0			101.3	
IPH-55B	12.9 to 20.2	48.9 to 76.6	300	2000	81.8	
IPH-56B		97.5 to 151.0			121.4	
IPH-66B	25.7 to 39.8	97.5 to 151.0	300	2000	159.9	

Note:

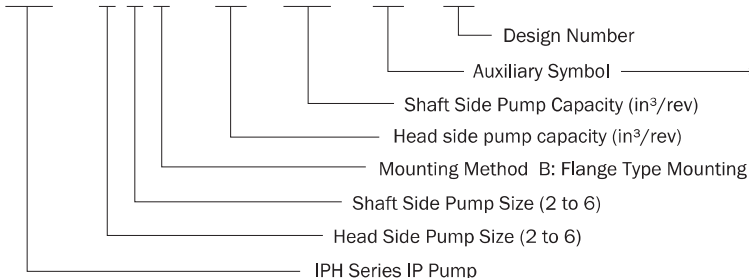
1. Maximum Pressure: Maximum pressure limit when there are frequent pressure changes. However, maximum pressure is the same as rated pressure when load is applied to the head side and shaft side simultaneously.
2. Suction Pressure: 4.3 psi
3. Avoid installation with the suction port towards the bottom of the pump. If the revolution speed will exceed 1800mm-1, provide separate piping for shaft side and head size IN ports.
4. Specify using the model number format shown below when pipe flange is required.

5. Working pressure is continuous operating pressure when the same pressure exists on the head side and shaft side.
6. Individual pump performance on the head side and shaft side is the same as that of the single pumps. Required power is the sum of the power required by each of the two pumps.
7. The "Required Power at 1200min-1, 3045 psi (hp)" column in the above table are based on combinations that provide the maximum capacity for each model number, when pressure at both the head side and shaft side is 3045 psi. Examples

- combinations that provide "the maximum capacity for each model number" are IPH-22B-8-8-11 for IPH-22b, and IPH-46B-32-125-11 for IPH-46B.
- Handling
- 1 Handling is in accordance with procedures for the IPH pump. See page C-1 for more information.

Understanding Model Numbers

IPH - 4 6 B - 20 - 125 - LT - 11



- None: Clockwise (viewed from shaft end)
- L : Counterclockwise (viewed from shaft end)
- T : Includes Screw IN Flange Kit (for shared IN port)
- TT : Includes Screw IN Flange Kit (for individual IN port)
- E : Includes Welded Flange Kit (for shared IN port)
- EE : Includes Welded Flange Kit (for individual IN port)

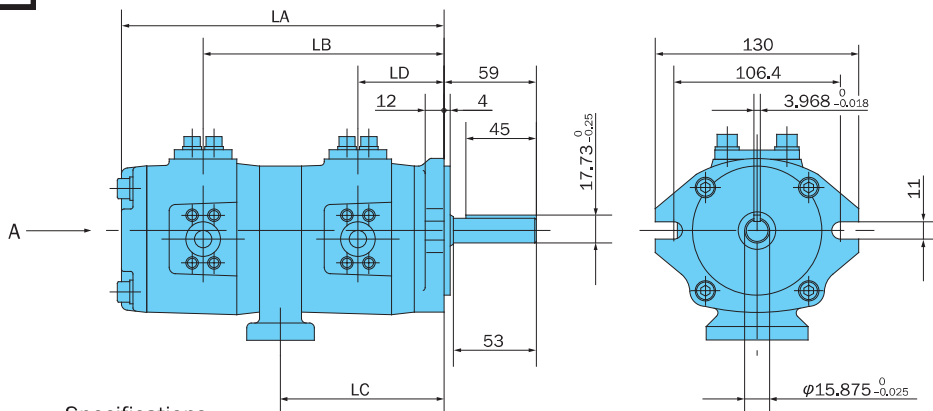
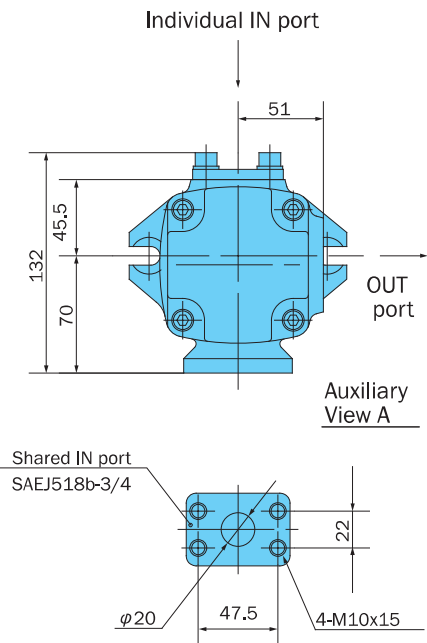
Auxiliary symbol must be provided in alphabetic order.

• IPH Series Double IP Pump Foot Mounting Kit
See the IPH Series (single) IP pump section in page C-12.

• IPH Series Double IP Pump Pipe Flange
See the IPH Series (single) IP pump section in page C-10.

Installation Dimension Drawings

IPH-22B-*-*-11 (Flange Mounting, Clockwise Rotation)

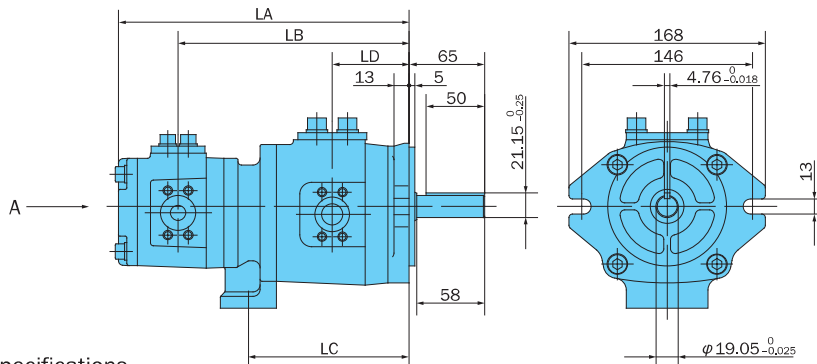
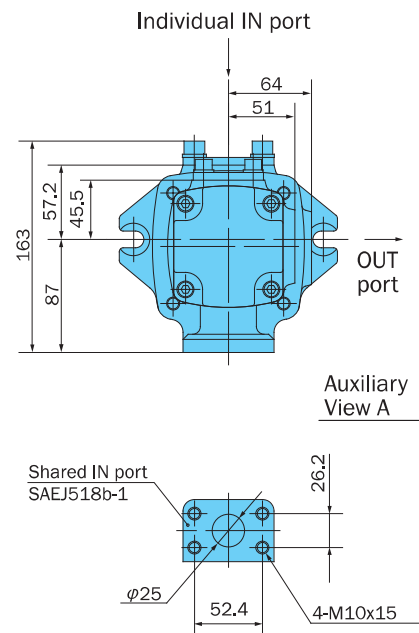


Specifications

Model No.	Volume in ³		Weight lbs	Dimensions (mm)			
	Vent Side	Shaft Side		LA	LB	LC	LD
IPH-22B-3.5-3.5-11	.21	.21	12.7	211.5	160	105.5	51
		.31	13.0	216.5	165	110.5	53.5
		.39	13.2	220.5	169	114.5	55
		.49	13.6	225.5	174	119.5	58
IPH-22B-5 -5 -11	.31	.31	13.2	221.5	167.5	110.5	53.5
		.39	13.4	225.5	171.5	114.5	55
		.49	13.8	230.5	176.5	119.5	58
IPH-22B-6.5-6.5-11	.39	.39	13.6	229.5	173.5	114.5	55
		.49	14.1	234.5	178.5	119.5	58
IPH-22B-8 -8 -11	.49	.49	14.5	239.5	181	119.5	58

Note: Dimensions shown in this diagram are for a single pump.

IPH-23B-*-*-11 (Flange Mounting, Clockwise Rotation)

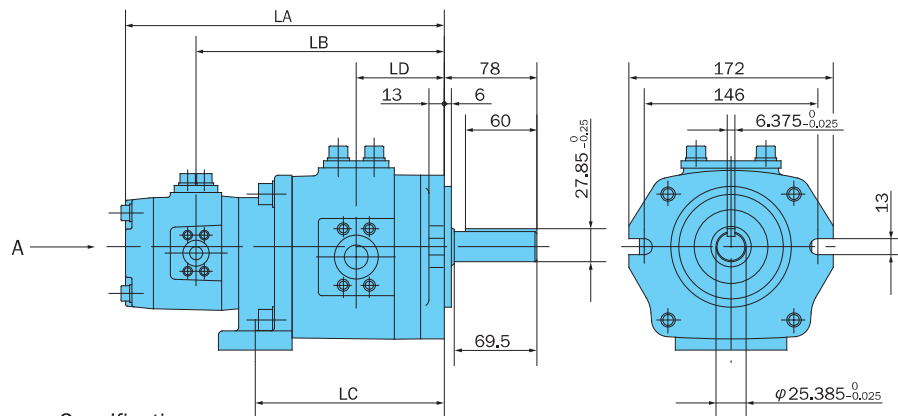
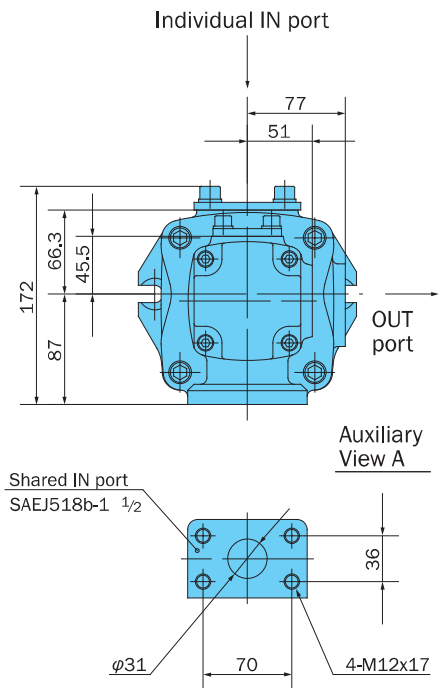


Specifications

Model No.	Volume in ³		Weight lbs	Dimensions (mm)			
	Vent Side	Shaft Side		LA	LB	LC	LD
IPH-23B-3.5-10-11	.21	.62	18.0	230.5	179	126	60
		.81	18.5	236.5	185	132	63
		.96	19.1	241.5	190	137	65.5
IPH-23B-5 -10-11	.31	.62	18.3	235.5	181.5	126	60
		.81	18.7	241.5	187.5	132	63
		.96	19.4	246.5	192.5	137	65.5
IPH-23B-6.5-10-11	.39	.62	18.5	239.5	183.5	126	60
		.81	18.9	245.5	189.5	132	63
		.96	19.6	250.5	194.5	137	65.5
IPH-23B-8 -10-11	.49	.62	18.9	244.5	186	126	60
		.81	19.4	250.5	192	132	63
		.96	20.0	255.5	197	137	65.5

Note: IPH-22B (23B)-*-*-L-11 (foot mounting/flange mounting, counterclockwise rotation) are the mirror image of the drawings shown above. In the case the individual port is facing upwards, the discharge port flange is positioned to the right when viewed from the shaft side.

IPH-24B-*-*-11
(Flange Mounting, Clockwise Rotation)

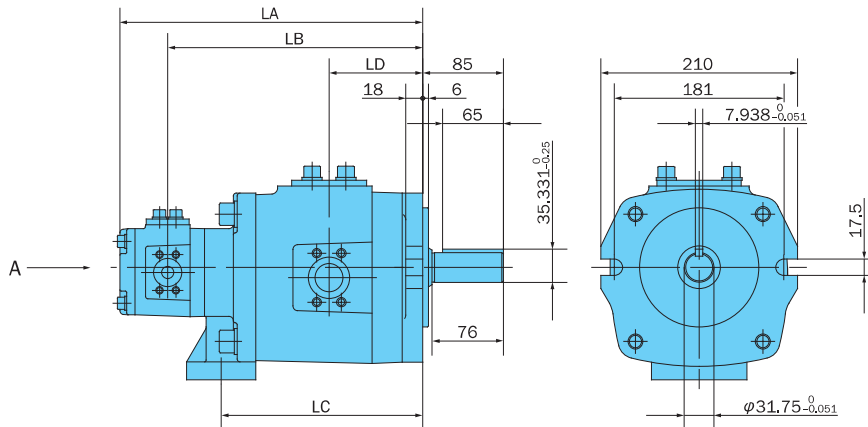
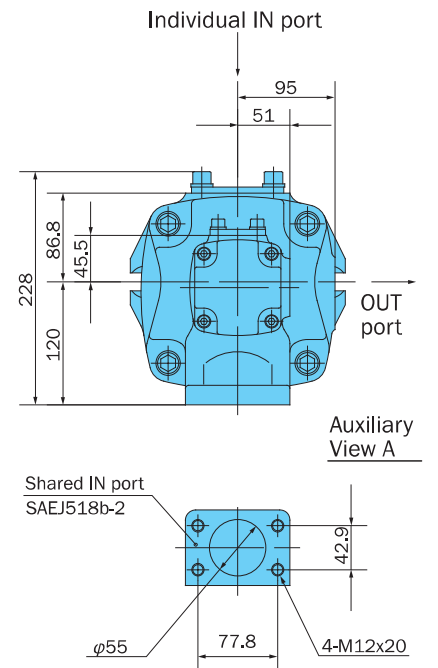


Specifications

Model No.	Volume in ³		Weight lbs	Dimensions (mm)			
	Vent Side	Shaft Side		LA	LB	LC	LD
IPH-24B-3.5-20-11	.21	1.26	28.2	250.5	199	153	71
-25		1.56	19.3	256.5	205	159	74
-32		1.97	30.4	264.5	213	167	78
IPH-24B-5 -20-11	.31	1.26	28.4	255.5	201.5	153	71
-25		1.56	29.5	261.5	207.5	159	74
-32		1.97	30.6	269.5	215.5	167	78
IPH-24B-6.5-20-11	.39	1.26	28.6	259.5	203.5	153	71
-25		1.56	29.7	265.5	209.5	159	74
-32		1.97	30.8	273.5	217.5	167	78
IPH-24B-8 -20-11	.49	1.26	29.1	264.5	206	153	71
-25		1.56	30.2	270.5	212	159	74
-32		1.97	31.3	278.5	220	167	78

Note: Dimensions shown in this diagram are for a single pump.

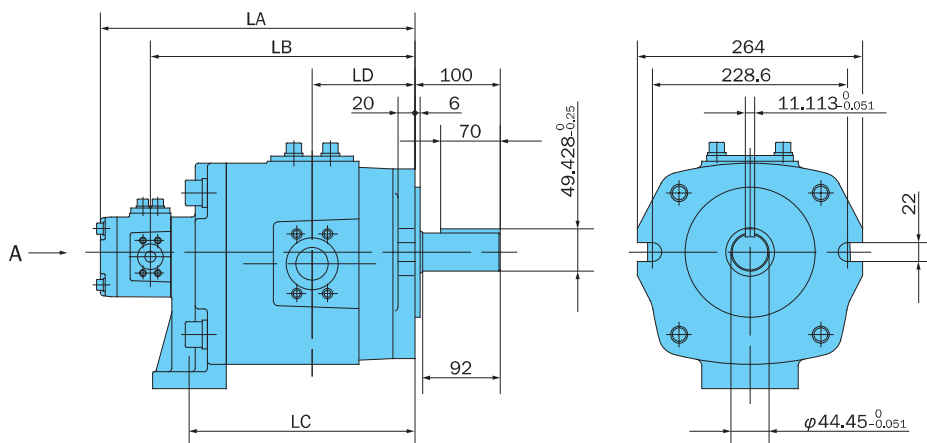
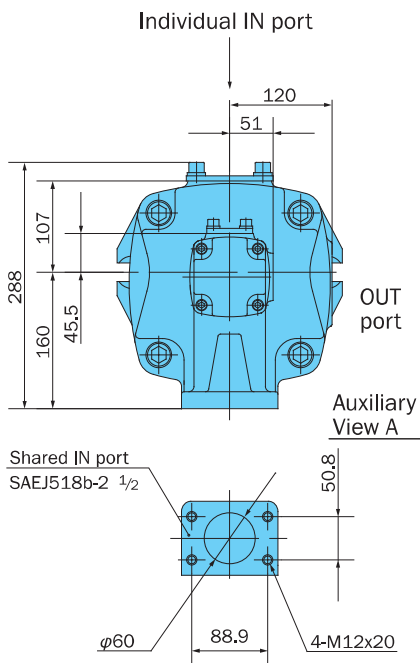
IPH-25B-*-*-11
(Flange Mounting, Clockwise Rotation)



Specifications

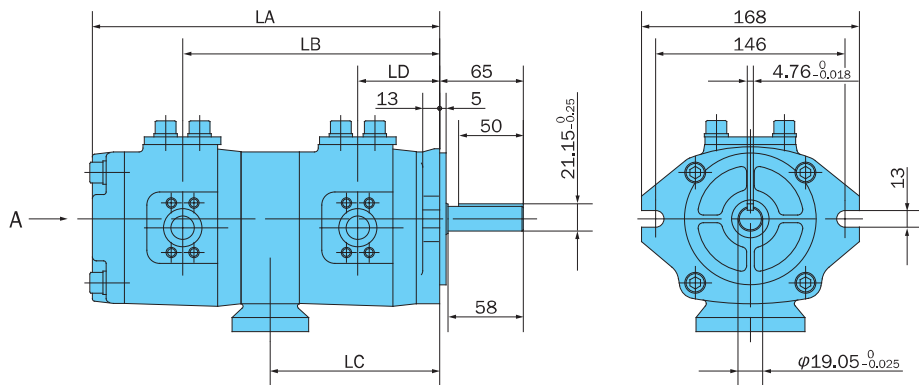
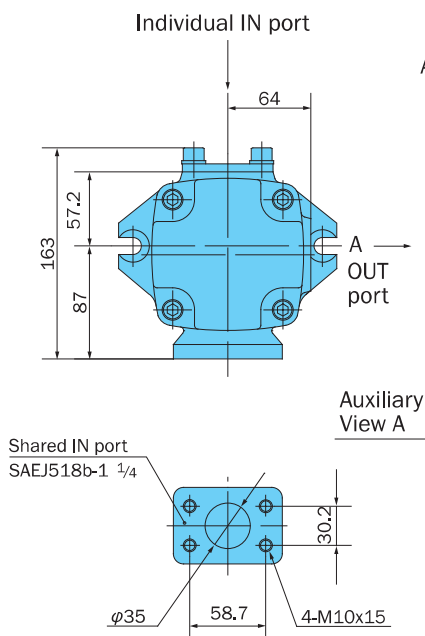
Model No.	Volume in ³		Weight lbs	Dimensions (mm)			
	Vent Side	Shaft Side		LA	LB	LC	LD
IPH-25B-3.5 -40-11	.21	2.48	53.1	298.5	247	197	91
-50		3.06	55.3	305.5	254	204	94.5
-64		3.89	57.5	315.5	264	214	99.5
IPH-25B-5 -40-11	.31	2.48	53.3	303.5	249.5	197	91
-50		3.06	55.5	310.5	256.5	204	94.5
-64		3.89	57.7	320.5	266.5	214	99.5
IPH-25B-6.5 -40-11	.39	2.48	53.5	307.5	251.5	197	91
-50		3.06	55.7	314.5	258.5	204	94.5
-64		3.89	57.9	324.5	268.5	214	99.5
IPH-25B-8 -40-11	.49	2.48	54.0	312.5	254	197	91
-50		3.06	56.2	319.5	261	204	94.5
-64		3.89	58.4	329.5	271	214	99.5

Note: IPH-24B (25B)--*-*-L-11 (foot mounting/flange mounting, counterclockwise rotation) are the mirror image of the drawings shown above. In the case the individual IN port is facing upwards, the discharge port flange is positioned to the right when viewed from the shaft side.

IPH-26B-*-11
 (Flange Mounting, Clockwise Rotation)

Specifications

Model No.	Volume in ³		Weight lbs	Dimensions (mm)			
	Vent Side	Shaft Side		LA	LB	LC	LD
IPH-26B-3.5 - 80-11	.21	4.96	101	345.5	294	240	111.5
		6.19	105	355.5	304	250	116.5
		7.68	110	367.5	316	262	122.5
IPH-26B-5 - 80-11	.31	4.96	101	350.5	296.5	240	111.5
		6.19	105	360.5	306.5	250	116.5
		7.68	110	372.5	318.5	262	122.5
IPH-26B-6.5 - 80-11	.39	4.96	101	354.5	298.5	240	111.5
		6.19	106	364.5	308.5	250	116.5
		7.68	110	376.5	320.5	262	122.5
IPH-26B-8 - 80-11	.49	4.96	102	357	301	240	111.5
		6.19	106	367	311	250	116.5
		7.68	110	379	323	262	122.5

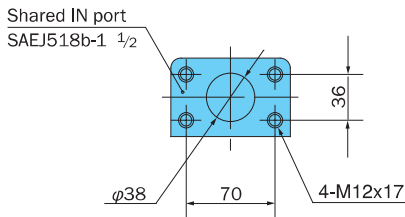
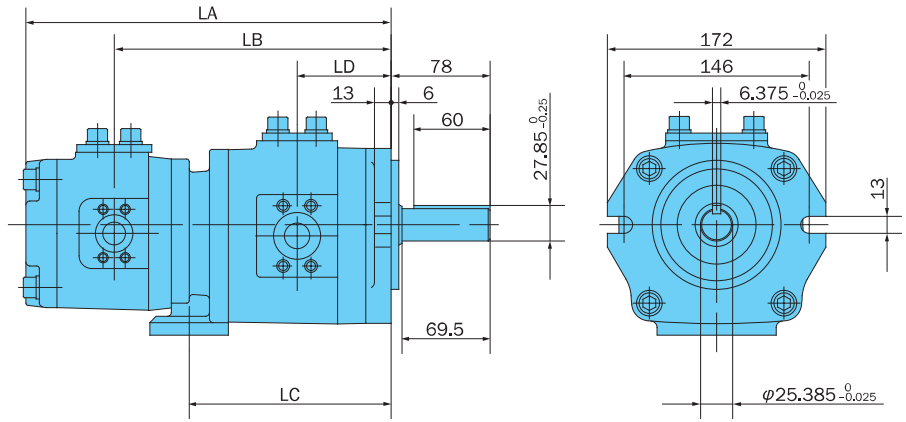
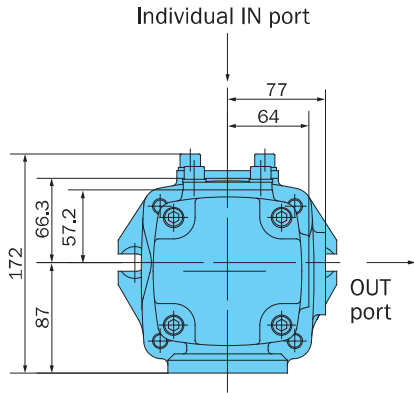
Note: Dimensions shown in this diagram are for a single pump.

IPH-33B-*-11
 (Flange Mounting, Clockwise Rotation)

Specifications

Model No.	Volume in ³		Weight lbs	Dimensions (mm)			
	Vent Side	Shaft Side		LA	LB	LC	LD
IPH-33B-10 -10-11	.62	.62	22.7	255.5	189	124.5	60
		.81	23.1	261.5	195	130.5	63
		.96	23.8	266.5	200	135.5	65.5
IPH-33B-13 -13-11	.81	.81	23.1	267.5	198	130.5	63
		.96	24.2	272.5	203	135.5	65.5
IPH-33B-16 -16-11	.96	.96	24.9	277.5	205.5	135.5	65.5

Note: IPH-26B (33B)-*-L-11 (foot mounting/flange mounting, counterclockwise rotation) are the mirror image of the drawings shown above. In the case the individual IN port is facing upwards, the discharge port flange is positioned to the right when viewed from the shaft side.

IPH-34B-*-11
(Flange Mounting, Clockwise Rotation)

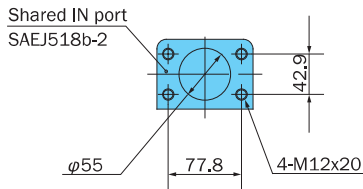
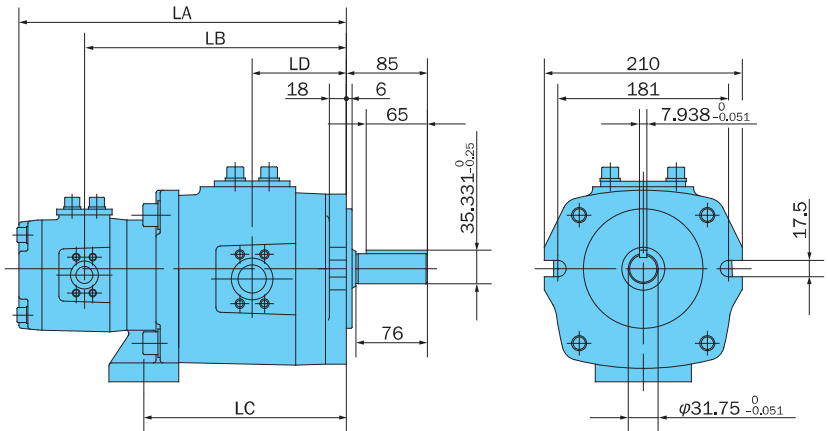
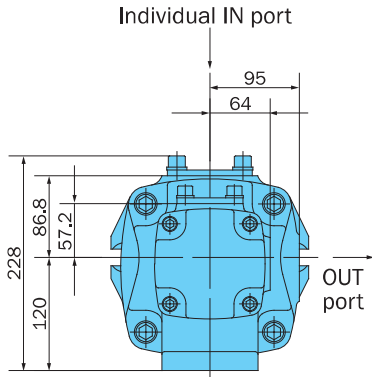


Specifications

Model No.	Volume in ³		Weight lbs	Dimensions (mm)			
	Vent Side	Shaft Side		LA	LB	LC	LD
IPH-34B-10 -20-11	.62	1.26	32.8	272	209	153	71
		1.56	33.9	278	215	159	74
		1.97	35.0	286	223	167	78
IPH-34B-13 -20-11	.81	1.26	33.2	278	212	153	71
		1.56	34.3	284	218	159	74
		1.97	35.5	292	226	167	78
IPH-34B-16 -20-11	.96	1.26	33.9	283	214.5	153	71
		1.56	35.0	289	220.5	159	74
		1.97	36.1	297	228.5	167	78

Note: Dimensions shown in this diagram are for a single pump.

IPH-35B-*-11
(Flange Mounting, Clockwise Rotation)

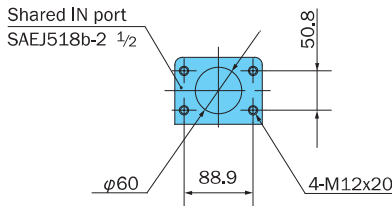
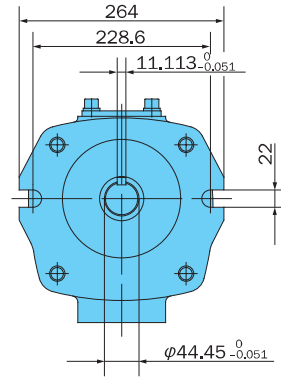
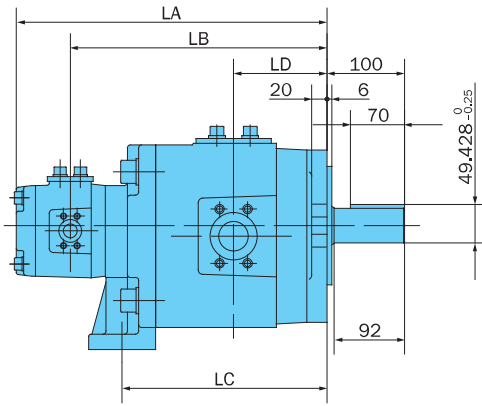
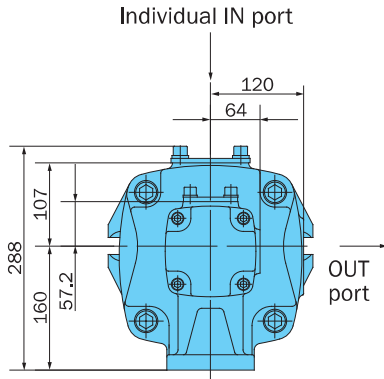


Specifications

Model No.	Volume in ³		Weight lbs	Dimensions (mm)			
	Vent Side	Shaft Side		LA	LB	LC	LD
IPH-35B-10 -40-11	.62	2.48	58.2	323.5	257	197	91
		3.06	60.4	330.5	264	204	94.5
		3.89	62.6	340.5	274	214	99.5
IPH-35B-13 -40-11	.81	2.48	58.6	329.5	260	197	91
		3.06	60.8	336.5	267	204	94.5
		3.89	63.0	346.5	277	214	99.5
IPH-35B-16 -40-11	.96	2.48	59.3	334.5	262.5	197	91
		3.06	61.5	341.5	269.5	204	94.5
		3.89	62.7	351.5	279.5	214	99.5

Note: IPH-34B (35B)-*-L-11 (foot mounting/flange mounting, counterclockwise rotation) are the mirror image of the drawings shown above. In the case the individual IN port is facing upwards, the discharge port flange is positioned to the right when viewed from the shaft side.

IPH-36B-*-*-11
(Flange Mounting, Clockwise Rotation)

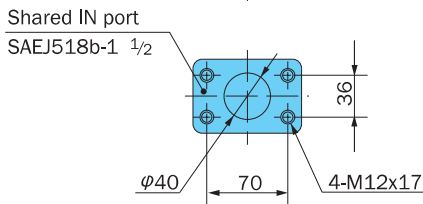
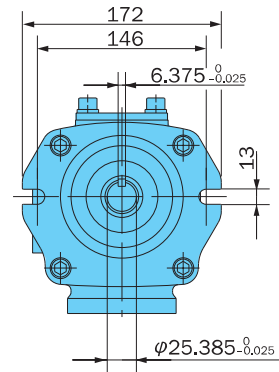
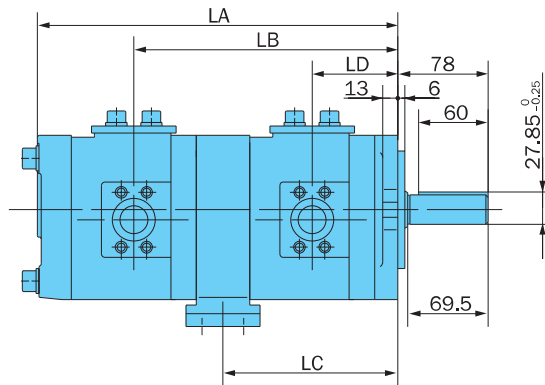
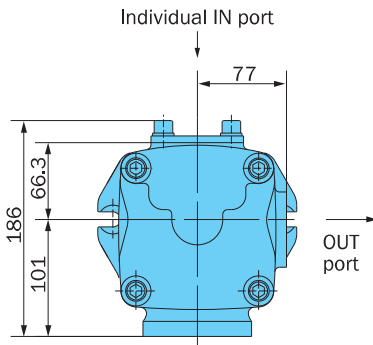


Specifications

Model No.	Volume in ³		Weight lbs	Dimensions (mm)			
	Vent Side	Shaft Side		LA	LB	LC	LD
IPH-36B-10 - 80-11	.62	4.96	105	370.5	304	240	111.5
-100		6.19	110	380.5	314	250	116.5
-125		7.68	114	392.5	326	262	122.5
IPH-36B-13 - 80-11	.81	4.96	106	376.5	307	240	111.5
-100		6.19	110	386.5	317	250	116.5
-125		7.68	115	398.5	329	262	122.5
IPH-36B-16 - 80-11	.96	4.96	106	381.5	309.5	240	111.5
-100		6.19	111	391.5	319.5	250	116.5
-125		7.68	115	403.5	331.5	262	122.5

Note) Dimensions shown in this diagram are for a single pump.

IPH-44B-*-*-11
(Flange Mounting, Clockwise Rotation)

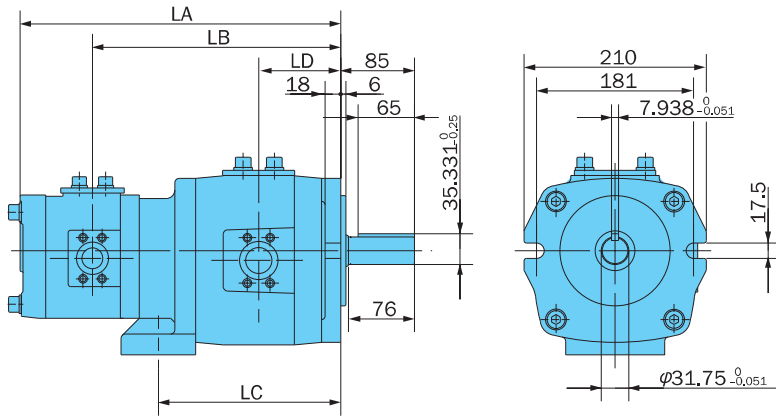
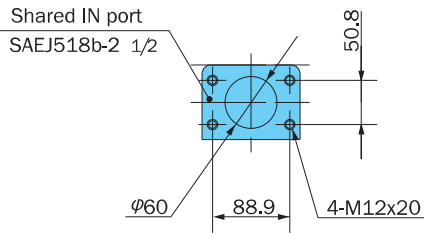
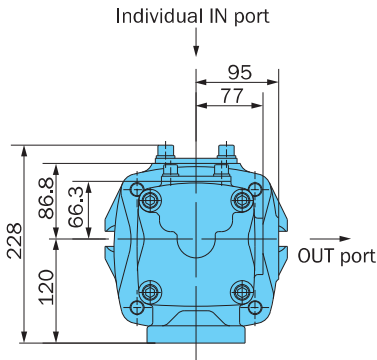


Specifications

Model No.	Volume in ³		Weight lbs	Dimensions (mm)			
	Vent Side	Shaft Side		LA	LB	LC	LD
IPH-44B-20 -20-11	1.26	1.26	42.9	307	219	145	71
-25		1.56	44.1	313	225	151	74
-32		1.97	45.2	321	233	159	78
IPH-44B-25 -25-11	1.56	1.56	45.2	319	228	151	74
-32		1.97	46.3	327	236	159	78
IPH-44B-32 -32-11	1.97	1.97	47.4	335	240	159	78

Note: IPH-36B (44B)--*-*-L-11 (foot mounting/flange mounting, counterclockwise rotation) are the mirror image of the drawings shown above. In the case the individual IN port is facing upwards, the discharge port flange is positioned to the right when viewed from the shaft side.

IPH-45B-*-11
(Flange Mounting, Clockwise Rotation)

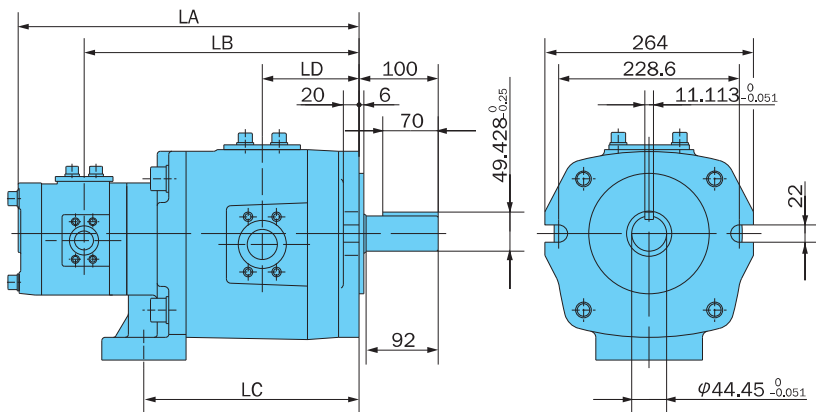
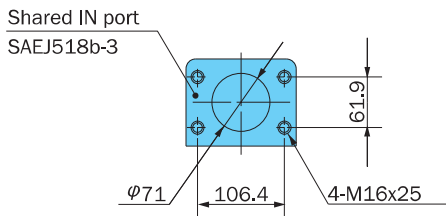
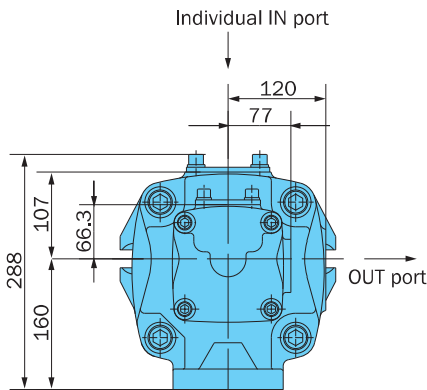


Specifications

Model No.	Volume in ³		Weight lbs	Dimensions (mm)			
	Vent Side	Shaft Side		LA	LB	LC	LD
IPH-45B-20 -40-11	1.26	2.48	66.3	357	276	203	91
		3.06	68.5	364	283	210	94.5
		3.89	70.7	374	293	220	99.5
IPH-45B-25 -40-11	1.56	2.48	67.4	363	279	203	91
		3.06	69.6	370	286	210	94.5
		3.89	71.3	380	296	220	99.5
IPH-45B-32 -40-11	1.97	2.48	68.5	371	283	203	91
		3.06	70.7	378	290	210	94.5
		3.89	72.9	388	300	220	99.5

Note: Dimensions shown in this diagram are for a single pump.

IPH-46B-*-11
(Flange Mounting, Clockwise Rotation)



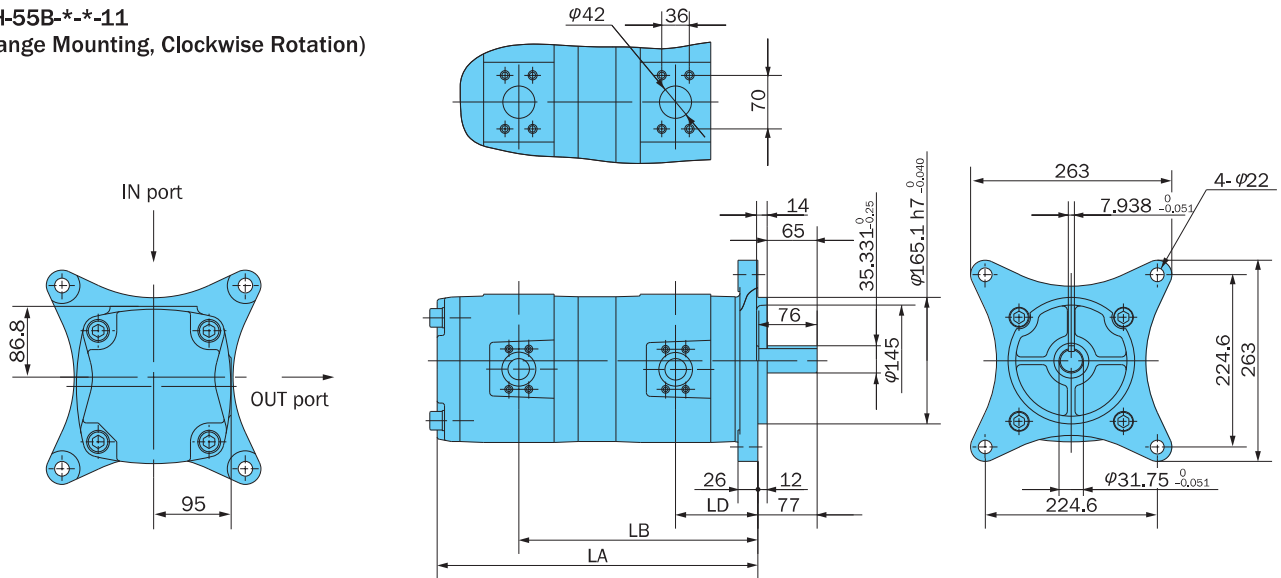
Specifications

Model No.	Volume in ³		Weight lbs	Dimensions (mm)			
	Vent Side	Shaft Side		LA	LB	LC	LD
IPH-46B-20 - 80-11	1.26	4.96	115	404	323	250	111.5
		6.19	119	414	333	260	116.5
		7.68	124	426	345	272	122.5
IPH-46B-25 - 80-11	1.56	4.96	116	410	326	250	111.5
		6.19	120	420	336	260	116.5
		7.68	125	432	348	272	122.5
IPH-46B-32 - 80-11	1.97	4.96	117	418	330	250	111.5
		6.19	121	428	340	260	116.5
		7.68	126	440	352	272	122.5

Note: Dimensions shown in this diagram are for a single pump.

Note: IPH-45B (46B)-*-L-11 (foot mounting/flange mounting, counterclockwise rotation) are the mirror image of the drawings shown above. In the case the individual IN port is facing upwards, the discharge port flange is positioned to the right when viewed from the shaft side.

IPH-55B-*-11
(Flange Mounting, Clockwise Rotation)

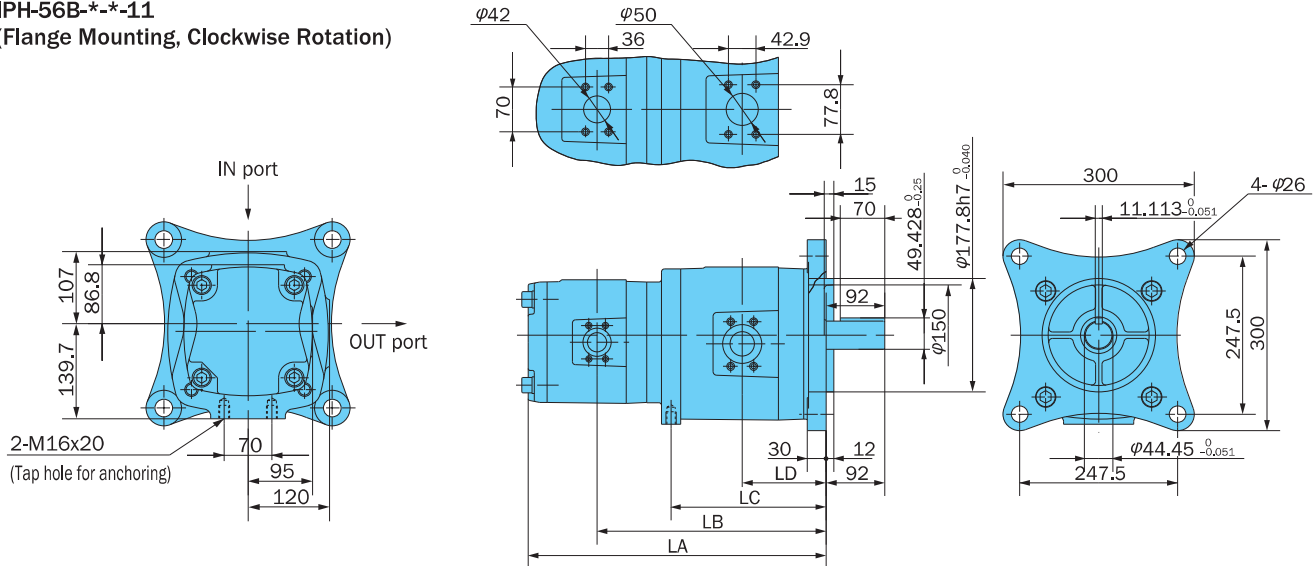


Specifications

Model No.	Volume in ³		Weight lbs	Dimensions (mm)		
	Vent Side	Shaft Side		LA	LB	LD
IPH-55B-40 -40-11	2.48	2.48	100	385	286	99
-50		3.06	102	392	293	102.5
-64		3.89	105	402	303	107.5
IPH-55B-50 -50-11	3.06	3.06	104	399	296.5	102.5
-64		3.89	107	409	306.5	107.5
IPH-55B-64 -64-11	3.89	3.89	109	419	311.5	107.5

Note: Dimensions shown in this diagram are for a single pump.

IPH-56B-*-11
(Flange Mounting, Clockwise Rotation)



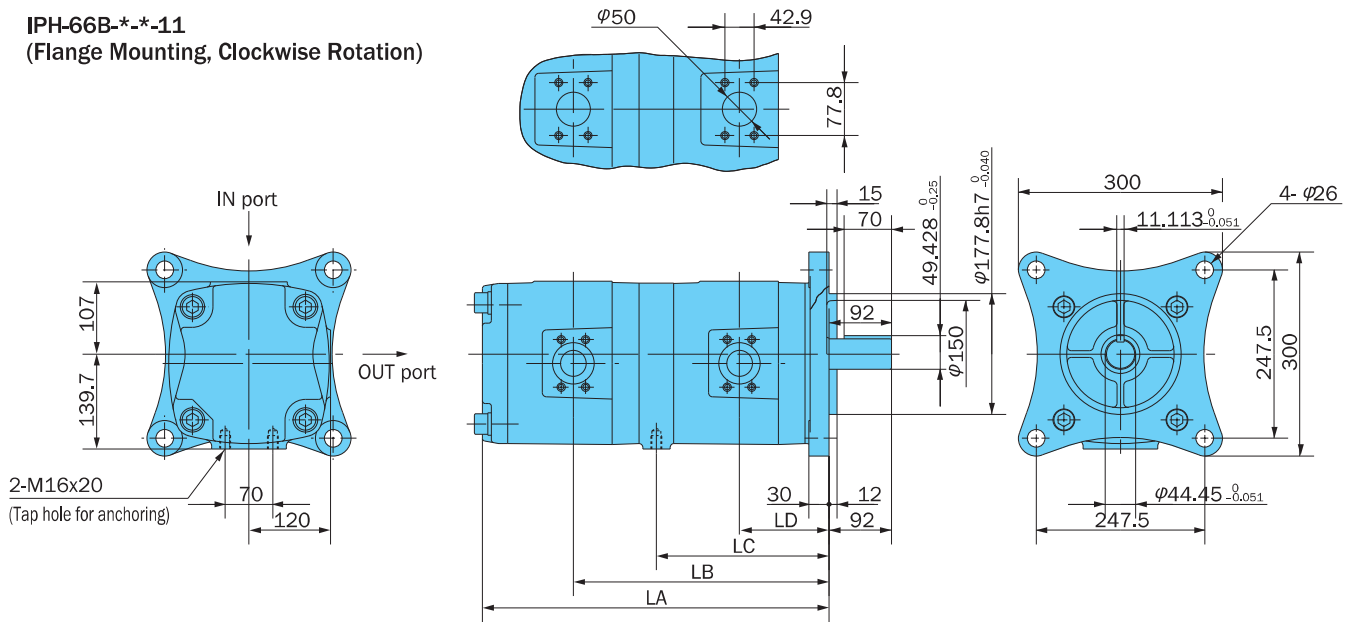
Specifications

Model No.	Volume in ³		Weight lbs	Dimensions (mm)			
	Vent Side	Shaft Side		LA	LB	LC	LD
IPH-56B-40 - 80-11	2.48	4.96	156	427	328	221	120.5
-100		6.19	160	437	338	231	125.5
-125		7.68	164	449	350	243	131.5
IPH-56B-50 - 80-11	3.06	4.96	158	434	331.5	221	120.5
-100		6.19	162	444	341.5	231	125.5
-125		7.68	167	456	353.5	243	131.5
IPH-56B-64 - 80-11	3.89	4.96	160	444	336.5	221	120.5
-100		6.19	164	454	346.5	231	125.5
-125		7.68	169	466	358.5	243	131.5

Note: Dimensions shown in this diagram are for a single pump.

Note: IPH-55B (56B)-*-L-11 (foot mounting/flange mounting, counterclockwise rotation) are the mirror image of the drawings shown above. In the case the individual IN port is facing upwards, the discharge port flange is positioned to the right when viewed from the shaft side.

IPH-66B--11**
(Flange Mounting, Clockwise Rotation)



Specifications

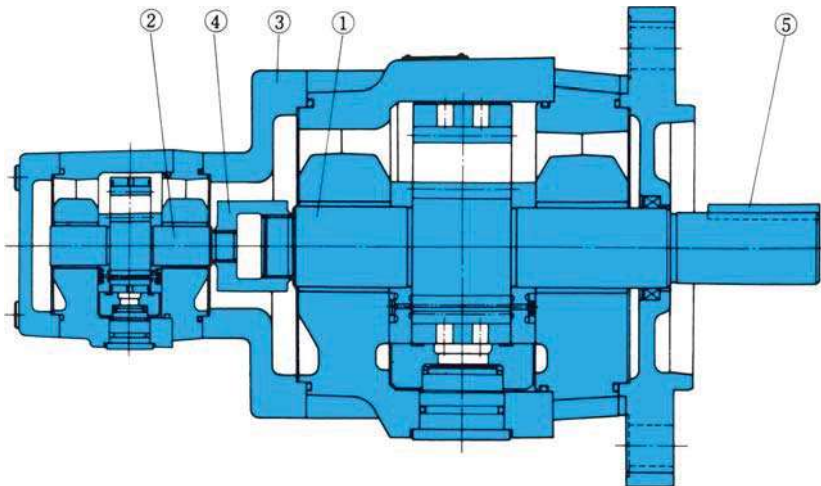
Model No.	Volume in ³		Weight lbs	Dimensions (mm)			
	Vent Side	Shaft Side		LA	LB	LC	LD
IPH-66B- 80- 80-11	4.96	4.96	196	470	347.5	234	120.5
-100		6.19	201	480	357.5	244	125.5
-125		7.68	205	492	369.5	256	131.5
IPH-66B-100-100-11	6.19	4.96	205	490	362.5	244	125.5
-125		7.68	209	502	374.5	256	131.5
IPH-66B-125-125-11	7.68	7.68	214	514	380.5	256	131.5

Note: Dimensions shown in this diagram are for a single pump.

Note: IPH-66B-*-L-11 (foot mounting/flange mounting, counterclockwise rotation) are the mirror image of the drawings shown above. In the case the suction port flange is facing upwards, the discharge port flange position is to the right when viewed from the shaft side.

Cross-sectional Drawing

IPH Series Double IP Pump



Part No.	Part Name
1	Pinion shaft -1
2	Pinion shaft -2
3	Body -3
4	Joint
5	Key

Note: In the case of a double pump, use single pump parts in addition to the 5 parts listed above.

• **IPS Series Double IP Pump Seal Kit**
The double pump seal kit combines a shaft side pump seal kit with a head pump seal kit. The shaft side pump seal kit (IHAS-2S****-**) is the same as the single pump seal

kit. The head side pump seal kit (IHAS-2H****-**) includes the same component parts as the single pump seal kit, except that it does not have a #23 oil seal. See the IPH Series (single) IP pump section in page C-9 for more information.

• **Air bleed-off valve**
See the IPH Series (single) IP pump section in page C-13.