



Sequence Modular Valve

10.5 to 21 gpm
3625 psi

Features

This modular valve is a pressure control valve used for sequential actuator operations and for maintaining main circuit pressure.

Pressure adjustment is possible across a wide range, from 36 to 3045 psi.

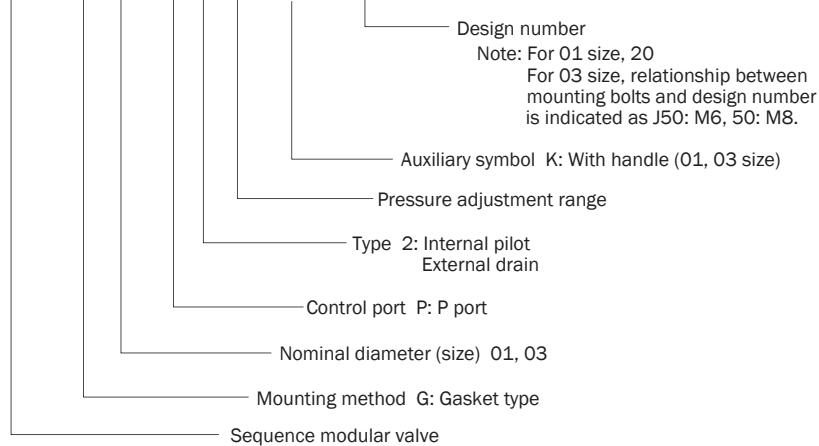
Maximum Operating Pressure: 3625 psi.

Specifications

Model No.	Nominal Diameter (Size)	Maximum Working Pressure psi	Maximum Flow Rate gpm	Pressure Adjustment Range psi	Weight lbs	Gasket Surface Dimensions
OQ-G01-P21-20 P23	1/8	3625	10.5	115 to 1000 500 to 3045	2.4	ISO 4401-03-02-0-94
OQ-G03-P2A-J50 P2C P2E	3/8	3625	21	36 to 123 123 to 500 500 to 2030	7.7	ISO 4401-05-04-0-94

Understanding Model Numbers

OQ - G 03 - P 2 A - (K) - J50



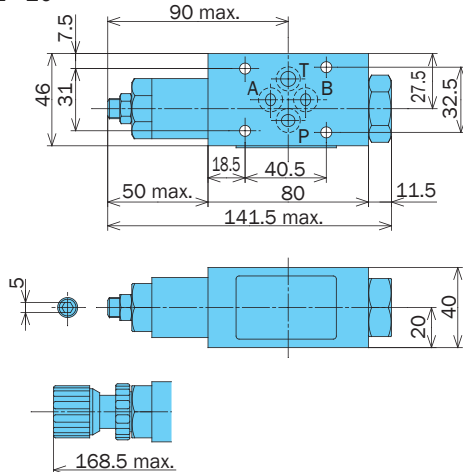
• Handling

- 1 The pressure adjustment range is expressed in terms of cracking pressure.
- 2 Install this valve directly above the sub plate or manifold.
- 3 When two or more of these valves are ganged in sequence, make sure the setting pressure differential between them is at least 145 psi.
- 4 Note that a sub plate and installation bolts are not included. See pages H4 and F87-89 if these items are required.

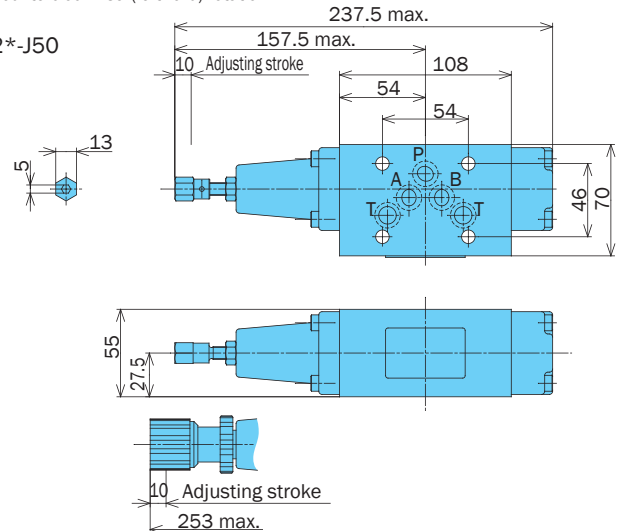
Installation Dimension Drawings

Note: Pressure is increased by clockwise (rightward) rotation of the adjusting screw (bolt), and decreased by counterclockwise (leftward) rotation.

OQ-G01-P2*-20



OQ-G03-P2*-J50

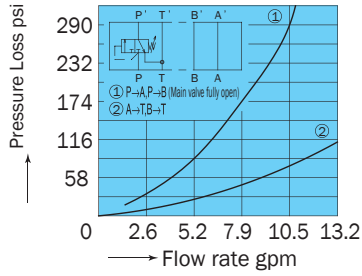


Performance Curves

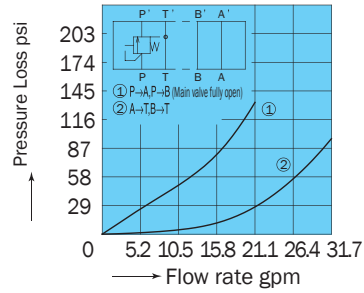
Hydraulic Operating Fluid Viscosity 32 centistokes

Pressure Loss Characteristics

OQ-G01-P2*-20

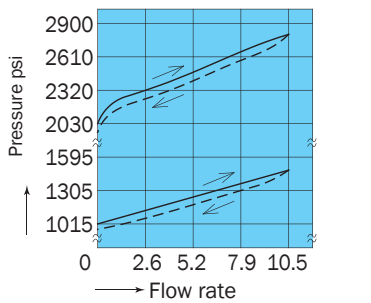


OQ-G03-P2A-J50

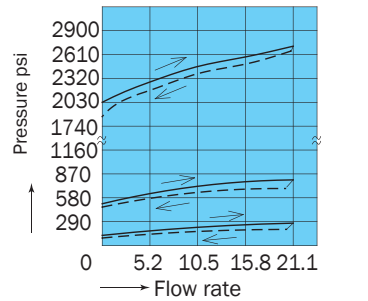


Pressure - Flow Rate Characteristics

OQ-G01-P2*-20

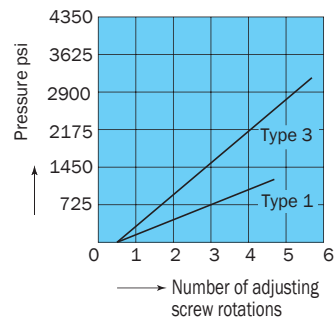


OQ-G03-P2*-J50

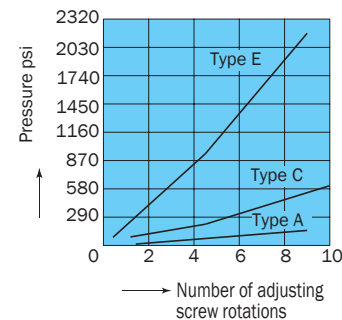


Number of Adjusting Screw Rotations - Pressure Characteristics

OQ-G01-P2*-20

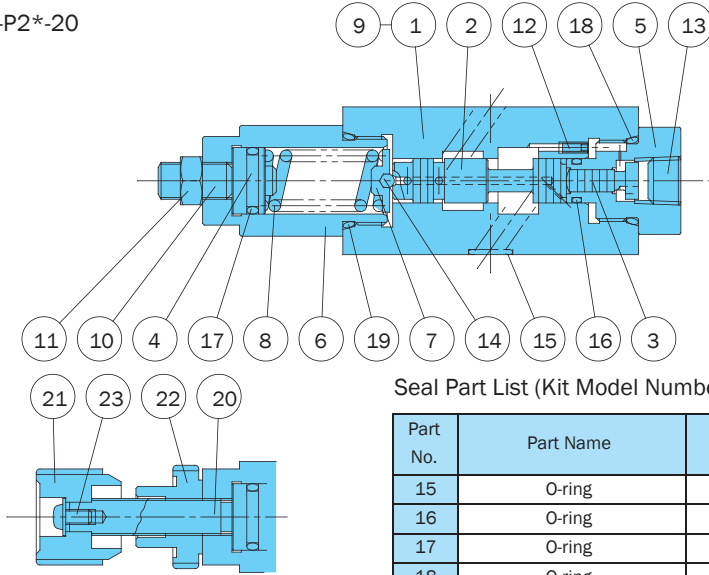


OQ-G03-P2*-J50



Installation Dimension Drawings

OQ-G01-P2*-20



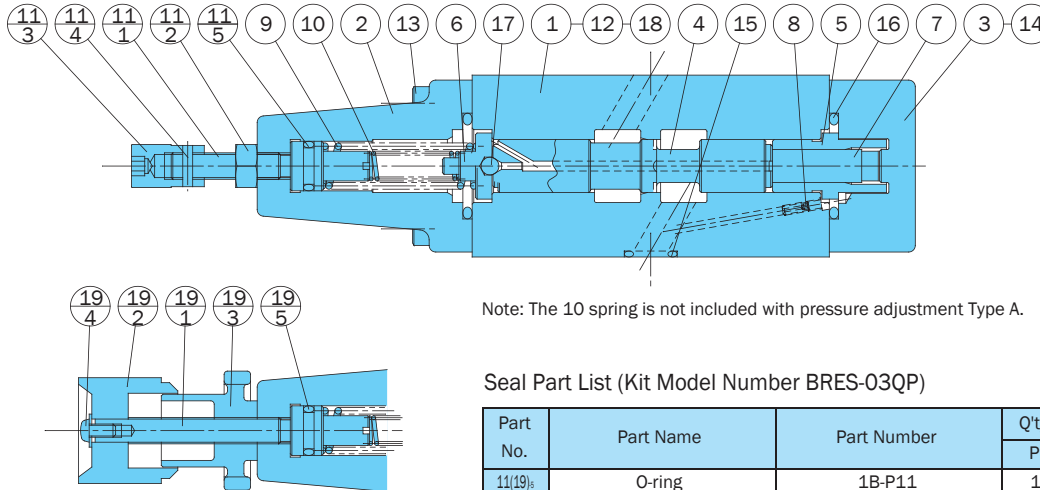
Seal Part List (Kit Model Number BRBS-01QP)

Part No.	Part Name	Part Number	Q'ty	
			P	
15	O-ring	1B-P9	4	
16	O-ring	1B-P9	1	
17	O-ring	1A-P14	1	
18	O-ring	1B-P20	1	
19	O-ring	1B-P22	1	

Note: O-ring 1A/B-** refers to JIS B2401-1A/B.

Part No.	Part Name
1	Body
2	Spool
3	Piston
4	Plunger
5	Bushing
6	Retainer
7	Guide
8	Spring
9	Plate
10	Screw
11	Nut
12	Choke
13	Plug
14	Ball
15	O-ring
16	O-ring
17	O-ring
18	O-ring
19	O-ring
20	Screw
21	Knob
22	Nut
23	Screw

OQ-G03-P2*-J50



Note: The 10 spring is not included with pressure adjustment Type A.

Seal Part List (Kit Model Number BRES-03QP)

Part No.	Part Name	Part Number	Q'ty	
			P	
11(19) ₁	O-ring	1B-P11	1	
15	O-ring	AS568-014(Hs90)	5	
16	O-ring	1B-P26	2	

Note: O-ring 1A/B-** refers to JIS B2401-1A/B.

Part No.	Part Name
1	Body
2	Cover
3	Cover
4	Spool
5	Sleeve
6	Guide
7	Plunger
8	Choke
9	Spring
10	Spring
11	Screw kit
11.1	Screw
11.2	Nut
11.3	Nut
11.4	Pin
11.5	O-ring
12	Plate
13	Screw
14	Screw
15	O-ring
16	O-ring
17	Ball
18	Pin
19	Handle kit
19.1	Screw
19.2	Knob
19.3	Nut
19.4	Screw
19.5	O-ring