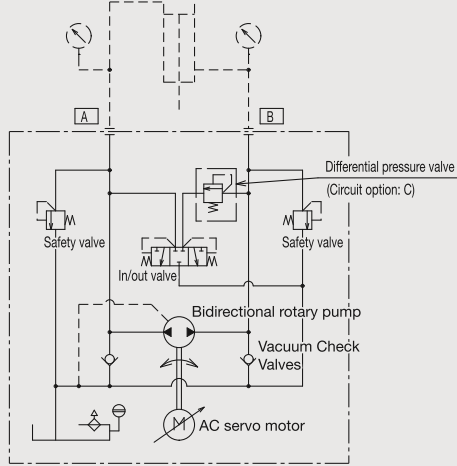
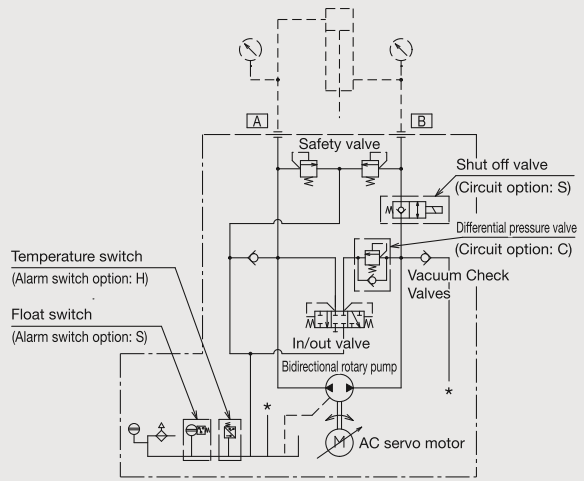


Hydraulic circuit diagram (UPS-00A)



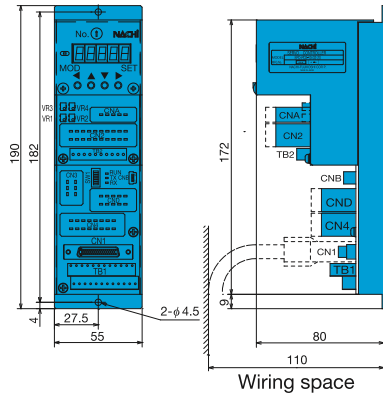
When maintaining the position of the cylinder during servo off is required (for example when preventing the cylinder from self-weight falling), additional circuits (for example shut-off valve) will be required. Contact us for more information.

Hydraulic circuit diagram (UPS-0A, 1A)



● Servo Controller

EPD-PD3-10-D2-20



Approximate Weight: 0.5kg

● Servo Amp

0.75kW
1.0kW Motor

Approximate Weight: 1.0kg

1.2kW
1.5kW Motor

Approximate Weight: 1.7kg

2.0kW Motor

Approximate Weight: 5.0kg

3.5kW
4.5kW
5.5kW Motor

Approximate Weight: 5.3kg

7.5kW
11kW Motor

Regenerative resistor

Approximate Weight: 9.6kg

Approximate Weight: 3.0kg