

Remote Control Relief Valve

.52 to 3.9 gpm
3045 psi

Features

Connecting a relief valve or reducing valve to the vent port of a balanced piston type pressure control valve provides

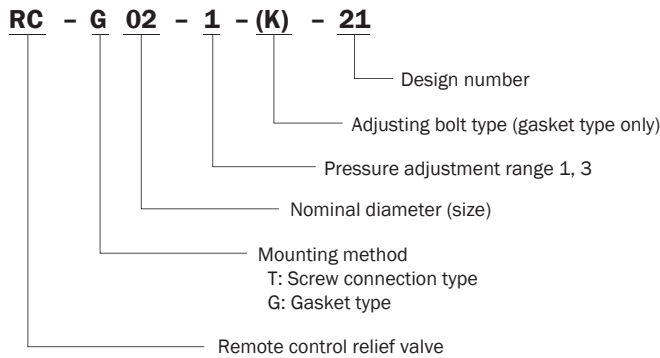
simple remote control of pressure. RCD type can also be used as a direct type relief valve.

Specifications

Model No.		Nominal Diameter (Size)	Maximum Working Pressure psi	Maximum Flow Rate gpm	Pressure adjustment range psi	Weight lbs
Screw Mounting	Gasket mounting					
RCD-T02-1-11 3-11	-	1/4	3045 P, V ports	3.9	116 to 1015 507 to 3045	4.6
RC-T02-1-12 3-12	RC-G02-1-21 3-21					

Note: The pressure adjustment range indicates cracking pressure.

Understanding Model Numbers

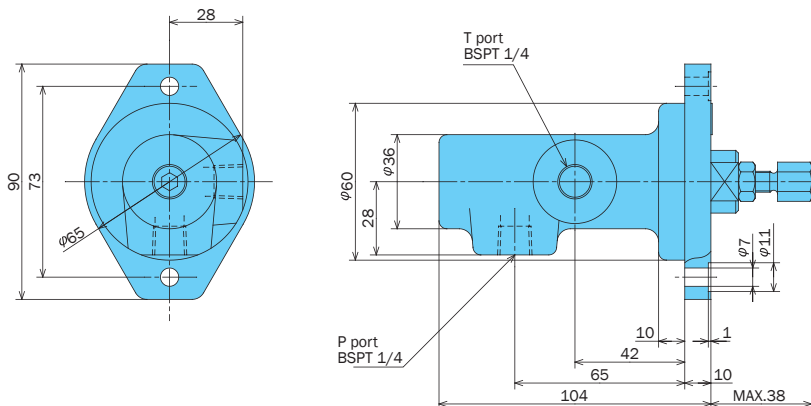


• Handling

- To adjust pressure, loosen the lock nut and then rotate the handle clockwise (rightward) to increase pressure or counterclockwise (leftward) to decrease it.
- Make sure that drain port back pressure is no greater than 29 psi.
- When configuring pipes for the pressure control valve and remote control valve, use of thick iron pipe with an inside diameter of no more than .15" and a connection length of no more than three meters is recommended. Pipe capacity can be a source of vibration.
- When an adjustment bolt type is required for the pressure adjustment block, insert K for the type specification. See the dimension drawings, RC-G02 only.
- Use the following to specify a sub plate.

Installation Dimension Drawings

RCD-T02-*-11 (Screw Mounting)



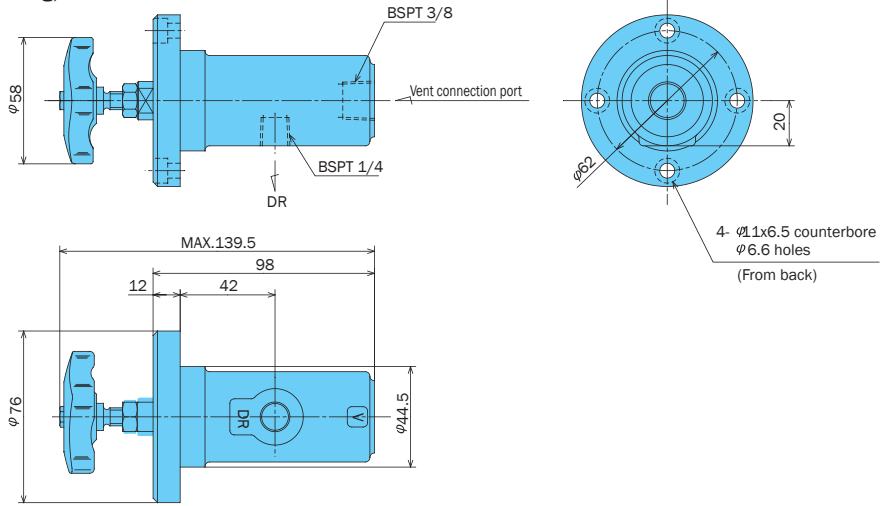
Model No.	Weight lbs
MRC-02-20	2.2

- The following are the bundled mounting bolts.

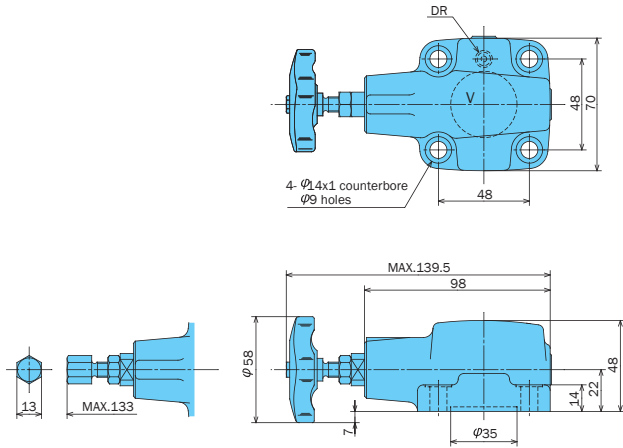
Model No.	Bolt Dimensions	Q'ty	Tightening Torque ft lbs
RC-G02-*-21	M8 x 25r	4	14 to 18.5

Note: For mounting bolts, use 12T or equivalent.

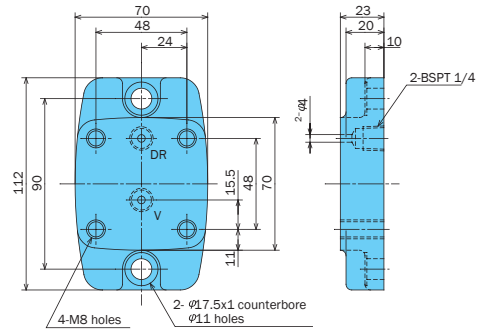
RC-T02-*-12 (Screw Mounting)



RC-G02-*-21 (Gasket Mounting)

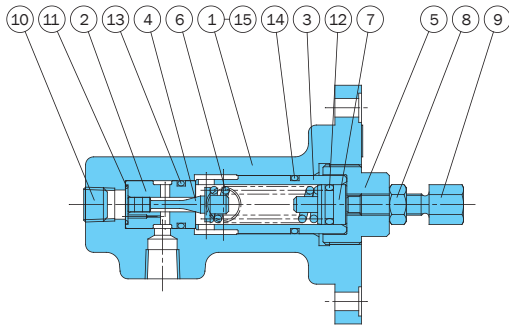


Sub Plate MRC-02-20

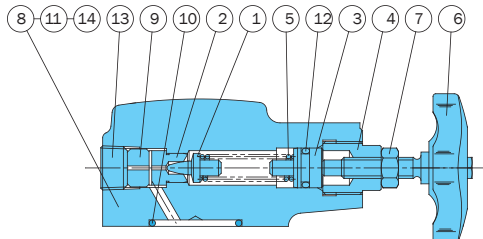


Cross-sectional Drawing

RCD-T02-*-11



RC-G02-*- (K)-21



Part No.	Part Name	Part No.	Part Name
1	Body	12	O-ring
2	Sleeve	13	O-ring
3	Sleeve	14	O-ring
4	Poppet	15	Nameplate
5	Retainer		
6	Spring		
7	Guide		
8	Nut		
9	Screw		
10	Plug		
11	O-ring		

Seal Part List (Kit Model Number RCS-T02CD)

Part No.	Part Name	Part Number	Q'ty
11	O-ring	S12.5(NOK)	1
12	O-ring	1A-P11	1
13	O-ring	1B-P14	1
14	O-ring	1B-P18	1

Note: O-ring 1A/B-** refers to JIS B2401 1A/B.

Part No.	Part Name	Part No.	Part Name
1	Poppet	8	Cover
2	Seat	9	Collar
3	Plunger	10	O-ring
4	Retainer	11	O-ring
5	Spring	12	O-ring
6	Handle	13	Plug
7	Nut	14	Plate

Seal Part List (Kit Model Number RCBS-G02)

Part No.	Part Name	Part Number	Q'ty
10	O-ring	1B-G30	1
11	O-ring	1B-P6	1
12	O-ring	1A-P11	1

Note: O-ring 1A/B-** refers to JIS B2401 1A/B.