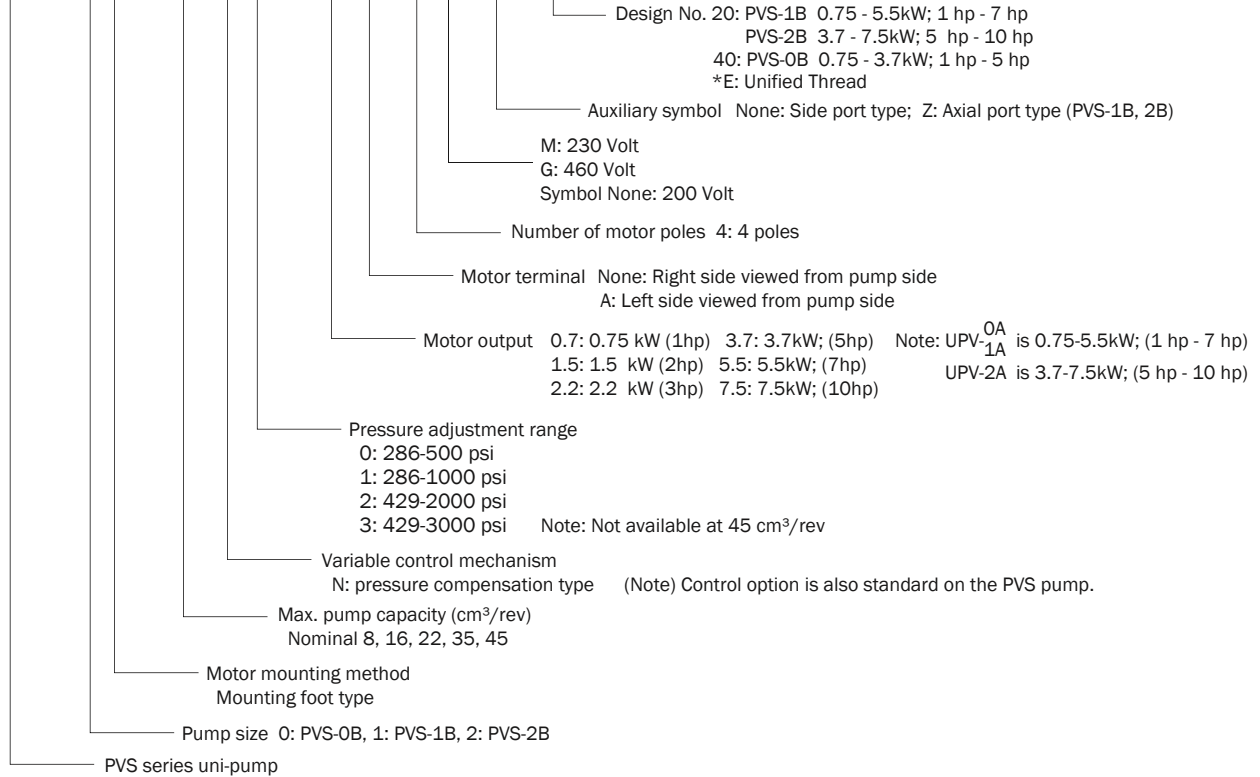


Uni-Pump Specifications

Explanation of Model No.:

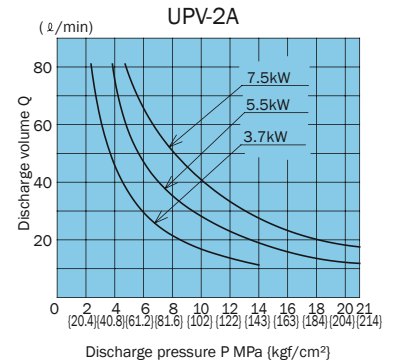
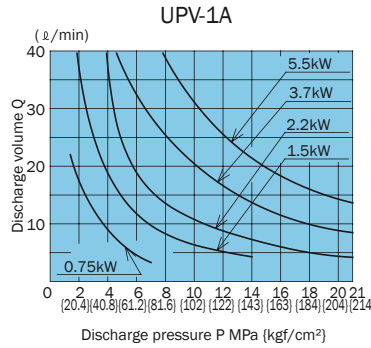
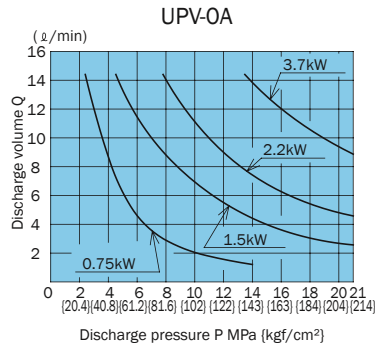
UPV - 1 A - 16 N 1 - 1.5 * - 4 * * - *20(40)



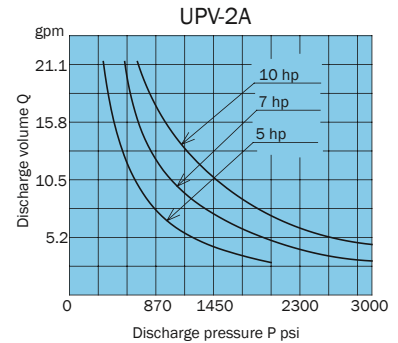
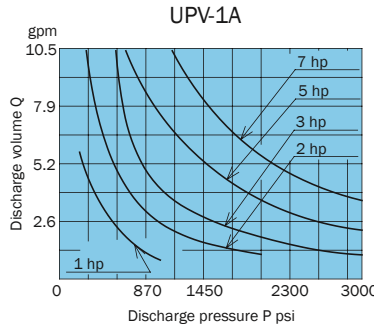
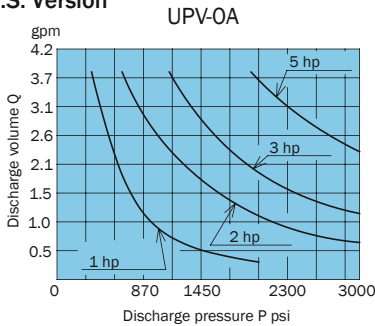
*This Uni-Pump is the metric version from Japan

Motor selection curves

Metric Version



U.S. Version



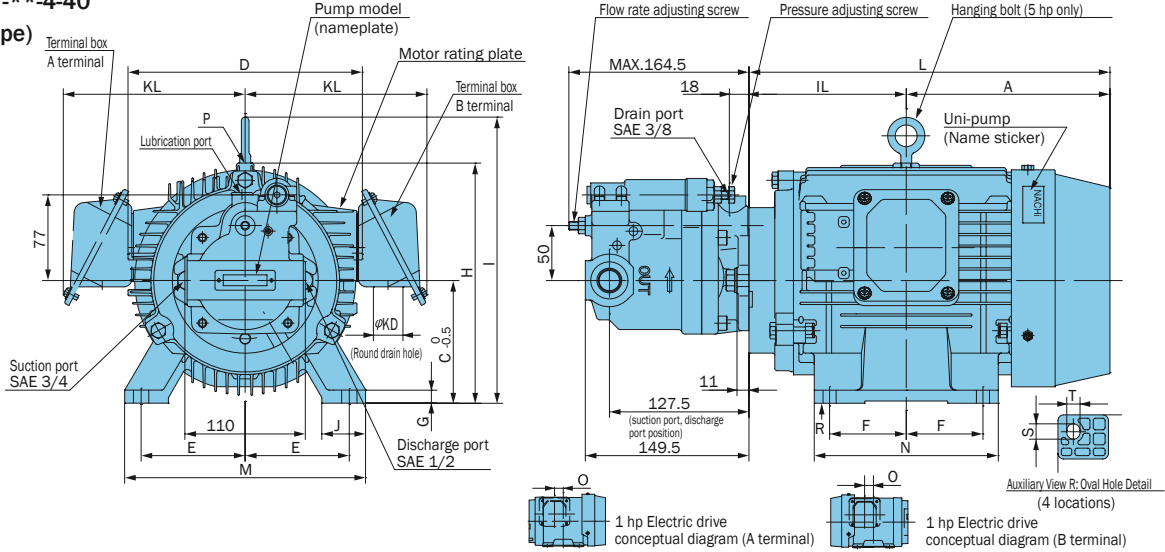
• How to select the motor

The lower side of the output curves for each of the motors shown above indicates the operating range under rated output for that motor.

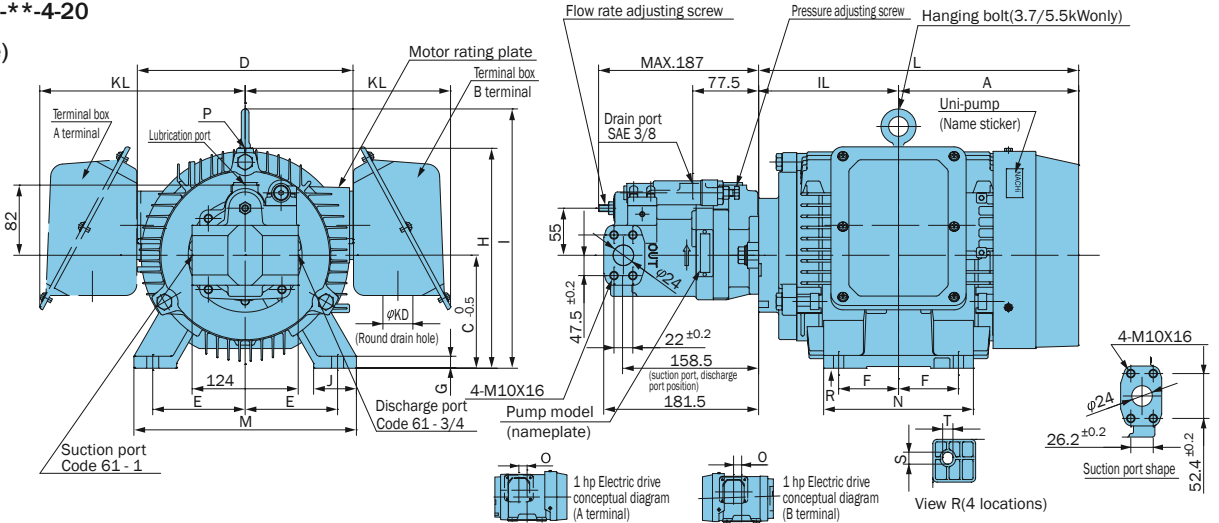
* Select a uni-pump that has a pressure and flow rate that is within the range of the drive so that the drive will not overload

Installation Dimension Drawings

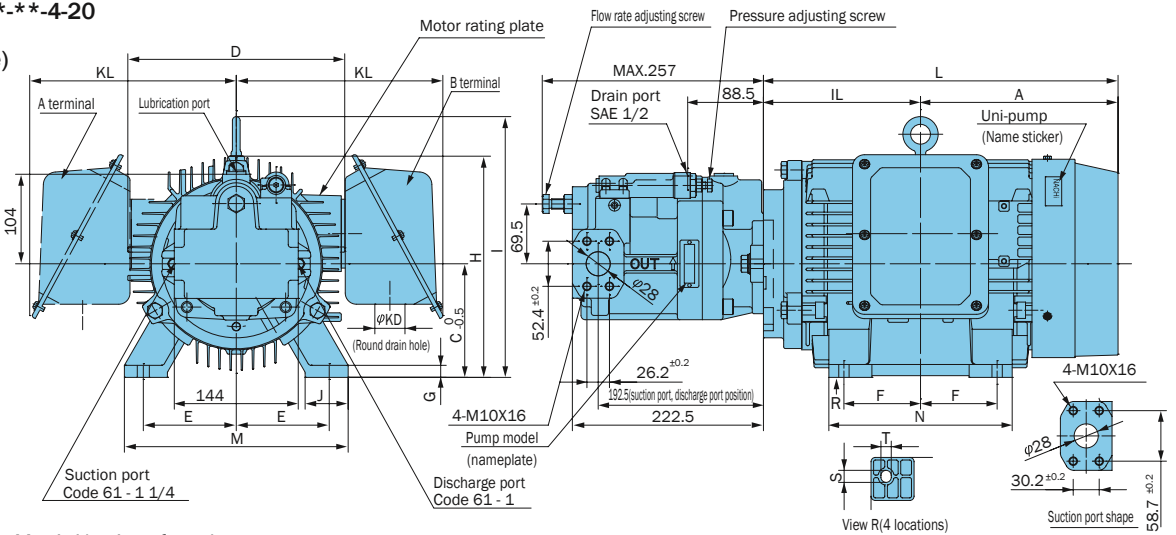
UPV-0A-8*-4-40**
(side port type)



UPV-1A-16*-4-20**
22
(side port type)



UPV-2A-35*-4-20**
45
(side port type)



*These Pumps are Metric Versions from Japan

1. Drive motor is fully enclosed fan cooled, 1 to 5 hp is E type, and 7 to 10 hp is B type.
2. Standard voltage for drive motor is 200 VAC, 50/60 Hz or 220 VAC, 60 Hz; EM - 230 VAC, EG - 460 VAC
3. Viewed from the pump side, suction port is on the left and discharge port is on the right.
4. Broken lines indicate instances for the A terminal. Broken lines pass through to the other side of the pump along its center.

Note: A terminal measurements are in parentheses ().

Motor Specifications

Output hp	Motor Dimensions																	Frame No.	Weight lbs
	A	IL	C	D	E	F	G	H	I	J	L	M	N	S×T	KD	KL	O		
1	133	107.5	80	170	62.5	50	4.5	165	-	35	240.5	165	130	18×10	φ27	157	27.5	80M	14.5
2	143	118.5	90	198	70	62.5	10	190	-	40	261	176	150	12×10	φ27	159	-	90L	16
3	157.5	133	100	198	80	70	12	200	-	40	290.5	200	168	14×12	φ27	159	-	100L	21
5	186	143.5	112	214	95	70	12	-	261	40	329.5	220	168	14×12	φ27	166	-	112M	27
7	210.5	163.5	132	252	108	70	15	-	303	50	374	260	175	14×12	φ35	240	-	132S	42
10	229.5	182.5	132	252	108	89	15	-	303	50	412	260	213	14×12	φ35	240	-	132M	48

Characteristics of drive motor for unipump (domestic standard 3 rating)

Output hp	Poles	(Note1) Model Number TYPE (N)	Voltage [V]	Frequency [Hz]	Current rating [A]	RPM rating [min ⁻¹]	Heat resistance
.5	4	VBDA (VDS series only)	200	50	2.2	1400	B
			200	60	2.0	1680	
			230-460	60	2.0	1710	
1	4	V*DA-*A4*07	200	50	3.8	1410	B
			200	60	3.4	1690	
			230-460	60	3.4	1720	
2	4	V*DA-*A4*15	200	50	7.0	1410	B
			200	60	6.2	1690	
			230-460	60	6.0	1710	
3	4	V*DA-*A4*22	200	50	9.8	1400	B
			200	60	8.9	1680	
			230-460	60	8.5	1710	
5	4	V*DA-*A4*37	200	50	16.0	1410	B
			200	60	14.8	1690	
			230-460	60	14.0	1710	
7	4	V*DA-*A4*55	200	50	23.8	1430	B
			200	60	21.0	1730	
			230-460	60	20.0	1740	
10	4	V*DA-*A4*75	200	50	31.8	1435	B
			200	60	28.2	1730	
			230-460	60	27.0	1740	

- The asterisks * indicate variations in the hydraulic pump series, size, and position of terminal box. Check the ratings sticker on the top of the drive motor.
- Contact us for variations in voltage.