

PVS Series Variable Volume Piston Pumps

.48 to 2.74 cu in/rev
3045 psi

- ☼ Design No. 30 is applied on PVS-0B to make the pump more compact and lighter, and reduce noise.
- ☼ Production of PVS-3B has been discontinued. Use PZS-3B.
- ☼ Pressure adjustment 3 type has been added to PVS-1B-22 and PVS-2B-45. (Design No. 20 is applied only on PVS-2B-45*3)

Features

Energy-saving Type with Drastically Reduced Loss

A NACHI-proprietary semi-circular barrel swash plate that receives pressure on its surface ensures a stable discharge volume at all times. This eliminates excess discharge volume, and enables the

effective use of power corresponding to the load cycle. This "energy-saving type" conserves energy, reduces power loss, and helps to reduce hydraulic costs.

Silent Type That Demonstrates Its Power Quietly

Proprietary low-noise mechanisms are incorporated on the shoe, swash plate, valve plate, and other locations to ensure silent operation. In particular, a semi-circular barrel swash plate stabilizes operation characteristics to ensure silent operation.

Specifications

Model No.	Volume in ³ /rev (cm ³ /rev)	Discharge volume at no-load gpm				Pressure adjustment range psi	Permitted peak pressure psi	Rotating speed min ⁻¹		Mass lbs
		1000min ⁻¹	1200min ⁻¹	1500min ⁻¹	1800min ⁻¹			Min.	Max.	
PVS-0B-8*0-E30 1 2 3	.18 - .48 (8.0)	2.1	2.5	3.2	3.8	290 to 507 290 to 1015 435 to 2030 435 to 3045	3625	500	2000	17
PVS-1B-16*0-(*)-E13 1 2 3	.3 - 1.0 (16.5)	4.4	5.2	6.5	7.8	290 to 507 290 to 1015 435 to 2030 435 to 3045	3625	500	2000	23
PVS-1B-22*0-(*)-E13 1 2 3	.42 - 1.34 (22.0)	5.8	7.0	8.7	10.5	290 to 507 290 to 1015 435 to 2030 435 to 3045	3625	500	2000	23
PVS-2B-35*0-(*)-E13 1 2 3	.48 - 2.1 (35.0)	9.2	11.1	13.9	16.6	290 to 507 290 to 1015 435 to 2030 435 to 3045	3625	500	2000	51
PVS-2B-45*0-(*)-E13 1 2 3 3-(*)-E20	.67 - 2.74 (45.0)	11.9	14.3	17.9	21.5	290 to 507 290 to 1015 435 to 2030 435 to 3045	3625	500	2000	51

Note: Direction of rotation is clockwise when viewed from the shaft end.

- Handling
 - Cautions during Pump Installation and Piping
- 1 Use flexible couplings for connecting the pump shaft to the drive shaft, and prevent a radial or thrust load from being applied on the pump shaft.
 - 2 For centering of the pump shaft, limit the eccentricity between the drive shaft and hydraulic pump shaft to .002 in, and keep the angle error within 1°.
 - 3 Set the clamping length of couplings and hydraulic pump shafts so that it is within at least 2/3 or more of the coupling width.
 - 4 Use a sufficiently rigid pump mounting base.
 - 5 Set the pressure on the pump suction side to 4.3 or more (suction port flow velocity within 6 ft/sec).
 - 6 Raise part of the drain piping to above the topmost part of the pump body, and

insert the return section of the drain piping into the hydraulic operating fluid. Also, observe the values in the following table to limit the drain back pressure to 14 psi.

Item	Model No.	PVS-0B PVS-1B	PVS-2B
Pipe joint size		3/8" or more	1/2" or more
Pipe I.D		3/8"	1/2"
Pipe length		39"	39"

- Management of Hydraulic Operating Fluid

- 1 Use good-quality hydraulic operating fluid, and use within a kinematic viscosity range of 20 to 200 centistokes during operation. Use an R&O type and antiwear hydraulic fluid of ISO-VG32 to 68. The optimum kinematic viscosity during

- operation is 20 to 50 centistokes.
- 2 The operating temperature range is 40 to 190° F. When the oil temperature at startup is 40° F or less, warm up the hydraulic pump by low-pressure, low-operation speed operation until the oil temperature reaches 40° F.
- 3 Provide a suction strainer with a filtering grade of about 100µm (150 mesh). Be sure to provide a return line filter of grade 10µm or less on the return line to the tank. (When the hydraulic pump is used at a high pressure of 2000 psi or more, we recommend providing a filter of 10µm or less.
- 4 Manage the hydraulic operating fluid so that contamination is maintained at class NAS10 or lower.
- 5 Use hydraulic operating fluid within an operating ambient temperature of 32 to 140° F.

(continued on following page)

- Caution at Startup NACHI-proprietary
- 1 Before you start pump operation, fill the pump body with clean hydraulic operating fluid via the lubrication port.

Model No.	Injection amount cu in
PVS-0B-8	13
PVS-1B-16, 22	18
PVS-2B-35, 45	39

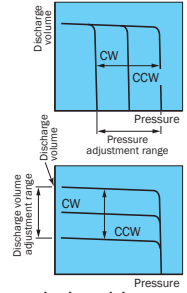
- 2 An unload is required when the motor is started under condition WYE.Delta Start. Consult your agent regarding the circuit.
- 3 Make sure that the pump operates in the direction of rotation the same as that indicated by the arrow on the pump body.

- 4 Air entering the pump or pipes may cause noise or vibration. At startup, set the pump discharge side to a no-load state, and operate the pump in the inching mode to release any air in the pump or pipes.
- 5 Provide an air bleed valve in circuits where it is difficult to release air at startup.
 - How to Set Pressure and Discharge Volume

The default pump discharge volume is set to "maximum" and default discharge pressure is set to "minimum". Change the discharge volume and discharge pressure settings according to your particular operating conditions.

[Pressure adjustment]
Turning the pressure adjusting screw CW increases the pressure.

[Discharge volume adjustment]
Turning the flow rate adjusting screw CW decreases the discharge volume.



Note:
· For details regarding the relationship between flow rate adjustment length l and pump capacity q, see the tables provided in the installation dimension drawings for each of the pumps.
· Firmly tighten the lock nuts after you have finished adjustments.

- Note:
- Variable control mechanism

Standard Type

N* Pressure compensation type (manual mode)

Option type

P* Pressure compensation type (remote control mode)

R Load Sense

N*Q* 2-pressure, 2-flow rate control

R* $\begin{matrix} A \\ S \end{matrix} \oplus$ Solenoid cutoff control

W* $\begin{matrix} A \\ S \end{matrix} \oplus$ 2-pressure control

RQ* $\begin{matrix} A \\ S \end{matrix} \oplus$ 2-pressure, 2-flow rate control w/ solenoid cutoff

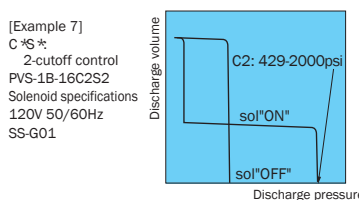
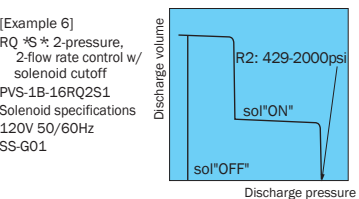
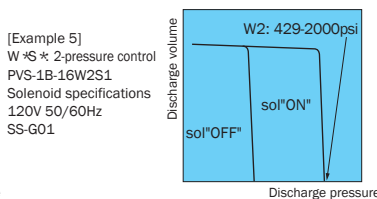
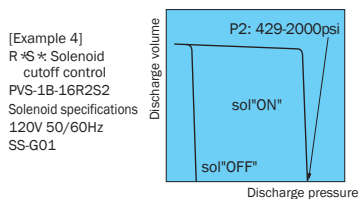
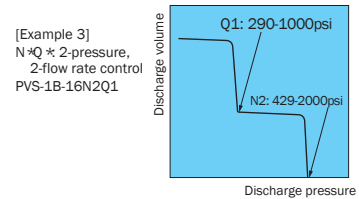
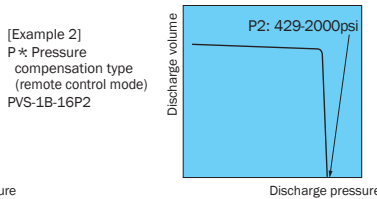
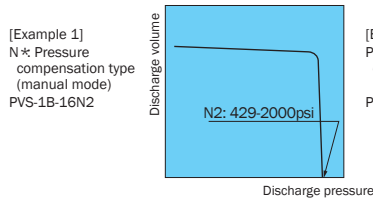
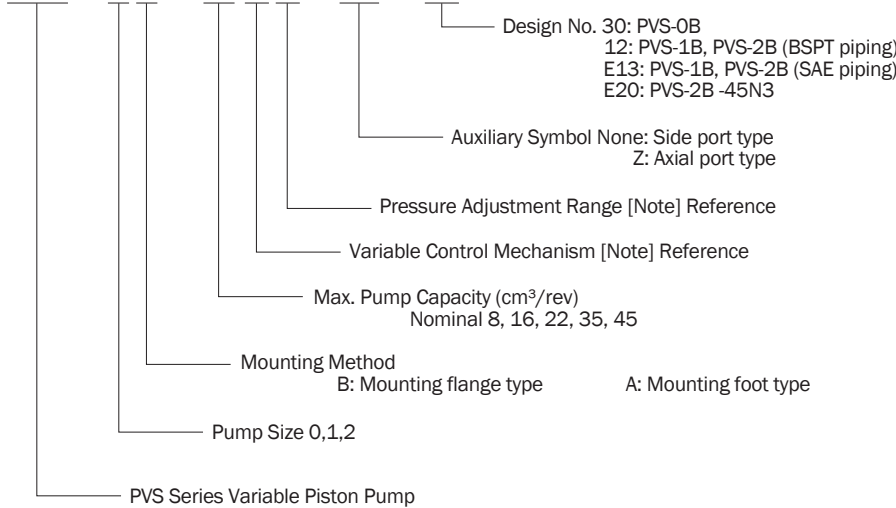
C* $\begin{matrix} A \\ S \end{matrix} \oplus$ 2-cutoff control

- * : Pressure adjustment range
- 0 : 286 - 500
- 1 : 286 - 1000
- 2 : 429 - 2000
- 3 : 429 - 3000

- \oplus : Applicable to solenoid specifications A, S
- A \oplus : SA-G01
- S \oplus : SS-G01
- 1 : 100V 50/60Hz
- 2 : 200V 50/60Hz
- 3 : DC12V
- 4 : DC24V

Explanation of Model No.

PVS - 1 B - 16 N 2 - (*) - 12



- R, load sense available for all PVS models.
- NQ, RS, WS, RQS and CS types are not available for the PVS-0B-8.
- NQ, RQS and CS types are not available for the PVS-1B-16-22-Z and PVS-2B-35-45-Z.

Variable Control Mechanisms

	Symbol	External View	Characteristics	Hydraulic Circuit	Explanation
Standard type	N				Pressure compensation type (manual system) When the discharge pressure reaches the preset volume set by the pressure compensator, the discharge volume is automatically reduced to hold the pressure at the set pressure.
					Pressure compensation type (remote control mode) This mode demonstrates the same characteristics as the manual mode. The discharge pressure can be adjusted by external pilot pressure. The discharge volume can be adjusted manually.
Option type	NQ				2-pressure, 2-flow rate control type The discharge volume changes in two stages by the pump's built-in sequence valve. This allows conventional high/ low pressure control to be performed on a single pump unit, and save energy in the hydraulic circuit.
	RS (RA)				Solenoid cutoff control type A solenoid valve for unload is integrated into the pressure compensation type to minimize energy loss when pump output is not required. Only a slight amount of heat is generated.
	WS (WA)				2-pressure control type Two pressure compensation types can be obtained by switching the solenoid valve ON/OFF. Two types of output control are possible with the actuator set to a constant speed.
	RQS (RQA)				2-pressure, 2-flow rate control type w/ solenoid cutoff The discharge volume can be changed in two stages by the sequencer valve and solenoid valve for unload mounted on the pump, and unloading is possible when pressure oil is not required.
	CS (CA)				2-cutoff control type Two types of pressure - flow rate characteristics can be obtained by the solenoid valve and cylinder mounted on the pump.
	R				Load sense type This mode demonstrates the same characteristics as the manual mode. The discharge pressure can be adjusted by external pilot pressure. The discharge volume can be adjusted manually. (Note 2)

Note 1: Many other variable control mechanism are also available in addition to those in the above table. Please consult your agent for details.
 Note 2: We recommend ZR-T02-*.5895* as the remote adjusting valve. For details, consult your agent. Prevent the pipe volume up to the remote control valve from falling below 10 cu in.

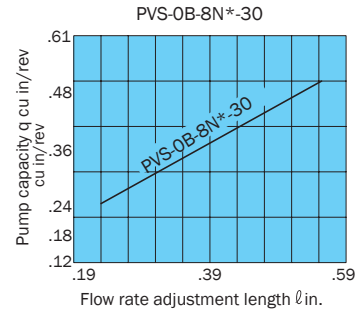
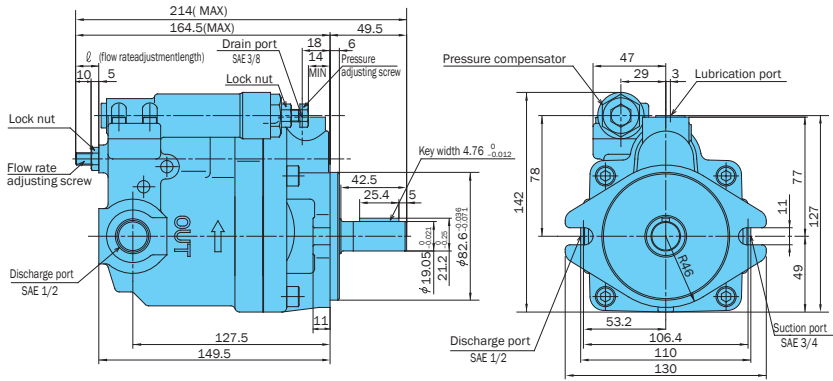
Pressure Compensation Type

Manual Mode: Standard Type

PVS-0B-8N*-30

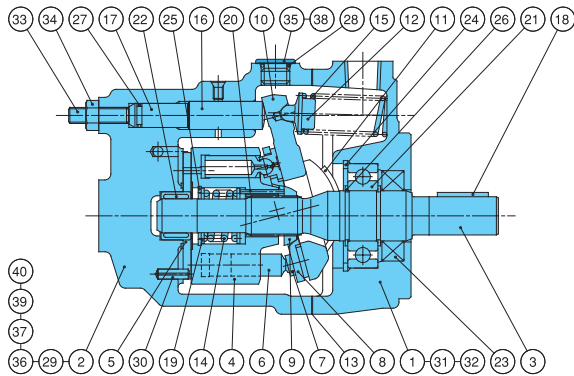
2 Bolt SAE A Mount

Installation Dimension Drawing



Set a flow rate adjustment length within the above range. Oil will leak if the pump is operated below the adjustment range lower limit.

Cross-Sectional Drawing



Part No.	Part Name	Part No.	Part Name	Part No.	Part Name
1	Body	15	Spring S	29	Parallel pin
2	Case	16	Control piston	30	Spring pin
3	Shaft	17	Guide pin	31	Hexagon socket head bolt
4	Cylinder barrel	18	Parallel key	32	Cross-recessed countersunk head screw
5	Valve plate	19	Retainer	33	Hexagon socket set screw
6	Piston	20	Needle	34	Hexagon nut
7	Shoe	21	Ball bearing	35	Hexagon plug
8	Shoe holder	22	Needle bearing	36	Metal plug
9	Barrel holder	23	Oil seal	37	Nameplate
10	Swash plate	24	Snap ring	38	Lubrication port plate
11	Thrust bush	25	Snap ring	39	CAUTION plate
12	Spring holder	26	Snap ring	40	Rivet
13	Gasket	27	O-ring		
14	Spring C	28	O-ring		

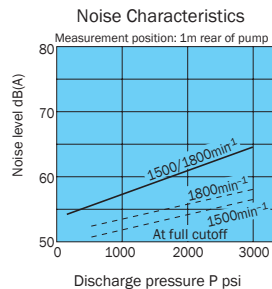
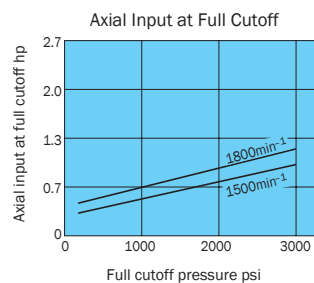
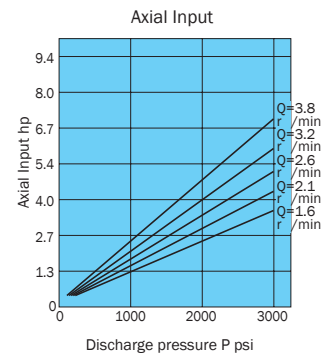
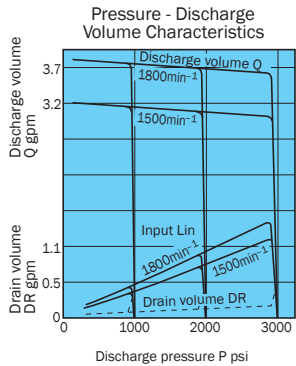
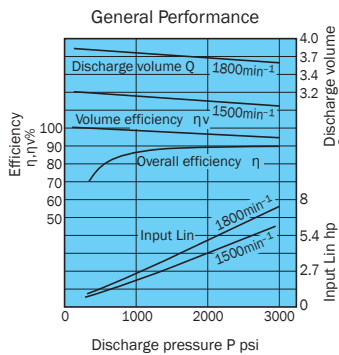
Seal Kit Part No. PSS-100000

Part No.	Part Name	Q'ty	PVS-0B-8	
			Size	Remarks
* 13	Packing	1	PSC46-100000	3 Bond
23	Oil seal	1	TCV-254511	N.O.K
27	O-ring	1	1B-P9	JIS B 2401
28	O-ring	1	1B-P11	JIS B 2401

Parts marked by an asterisk "*" are not available on the market. Consult your agent.

Pressure Compensation Type

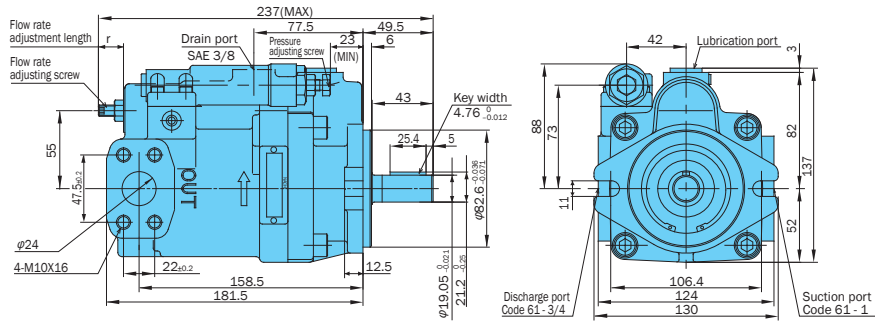
Typical characteristics at hydraulic operating fluid kinematic viscosity of 32 centistokes



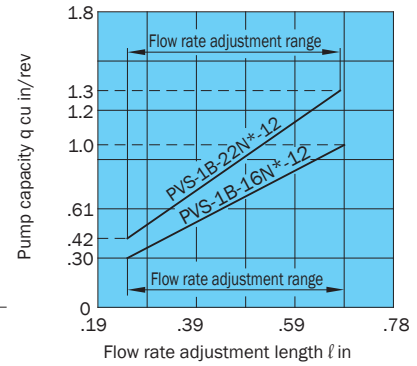
Installation Dimension Drawing

PVS-1B- 16N^{*}-(Z)-E13

**SAE A Mount
(side port type)**

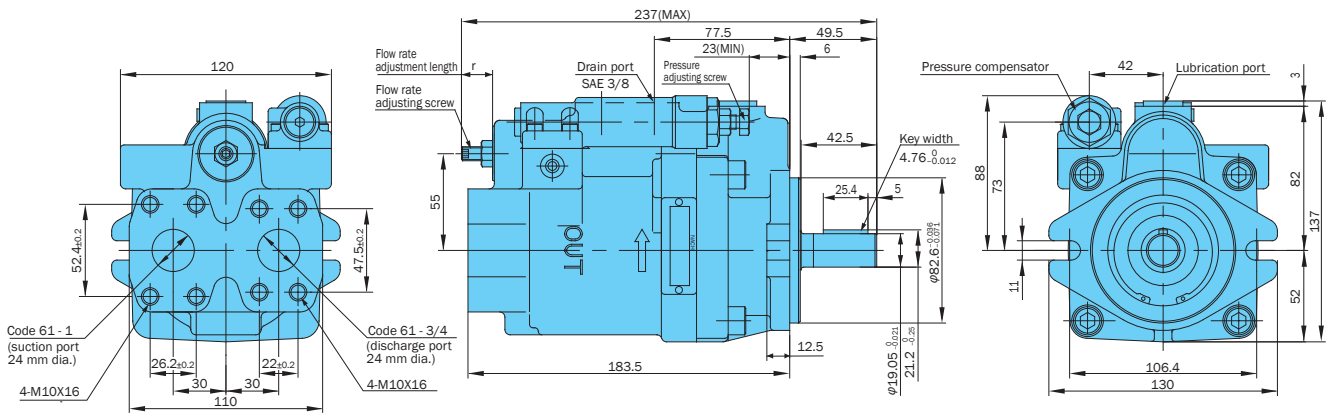


Relationship between flow rate adjustment length (l) and pump capacity (q)

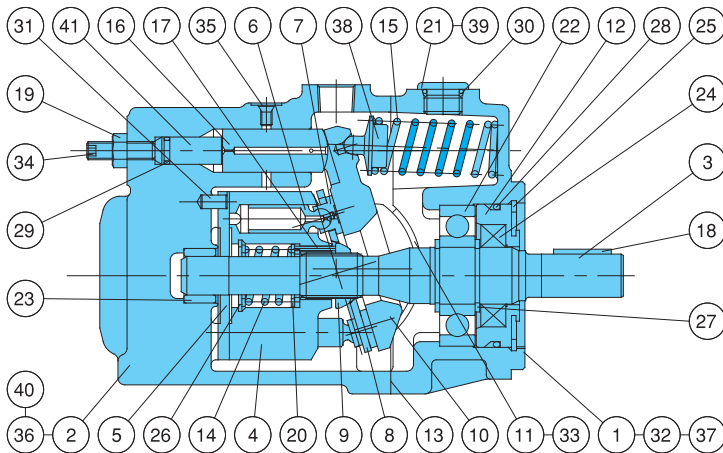


Set a flow rate adjustment length within the above range. Oil will leak if the pump is operated below the adjustment range lower limit.

(Axial Port Type)



Cross-Sectional Drawing



Part No.	Part Name	Part No.	Part Name
1	Body	22	Ball bearing
2	Case	23	Needle bearing
3	Shaft	24	Oil seal
4	Cylinder barrel	25	Snap ring
5	Valve plate	26	Snap ring
6	Piston	27	Snap ring
7	Shoe	28	O-ring
8	Shoe holder	29	O-ring
9	Barrel holder	30	O-ring
10	Swash plate	31	Pin
11	Thrust bush	32	Hexagon socket head bolt
12	Seal holder	33	Cross-recessed countersunk head screw
13	Gasket	34	Hexagon socket set screw
14	Spring C	35	Metal plug
15	Spring S	36	Nameplate
16	Control piston	37	CAUTION plate
17	Needle	38	Spring holder
18	Key	39	Lubrication port plate
19	Nut	40	Rivet
20	Retainer	41	Guide pin
21	Plug		

List of Sealing Parts (Kit Model Number PSS-101000-2A)

Part No.	Name	Q'ty	Size	Remarks
* 13	Gasket	1	PS46-101000	Nihon Gasket
24	Oil seal	1	TCN-254511	N.O.K
28	O-ring	1	1B-G55	JIS B 2401
29	O-ring	1	1B-P9	JIS B 2401
30	O-ring	1	1B-P14	JIS B 2401

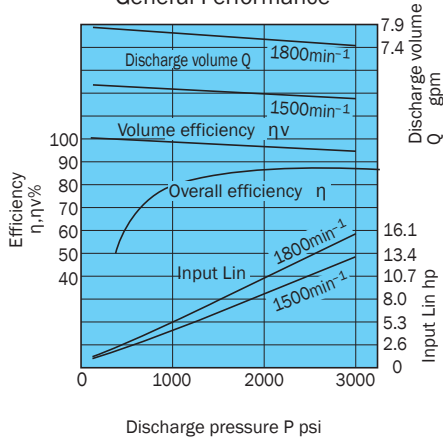
Parts marked by an asterisk "*" are not available on the market. Consult your agent.

Performance Curves

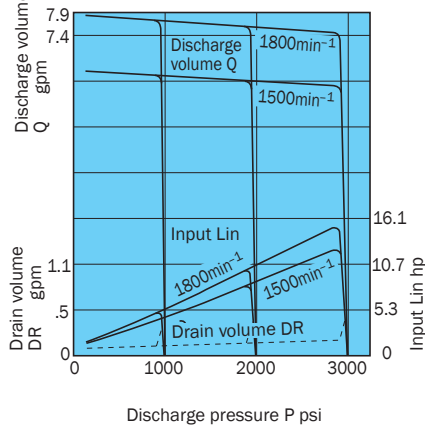
Typical characteristics at hydraulic operating fluid kinematic viscosity of 32 centistokes

PVS-1B-16N*(Z)-E13

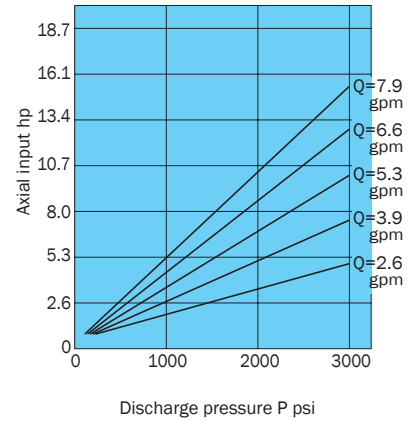
General Performance



Pressure - Discharge Volume Characteristics



Axial Input

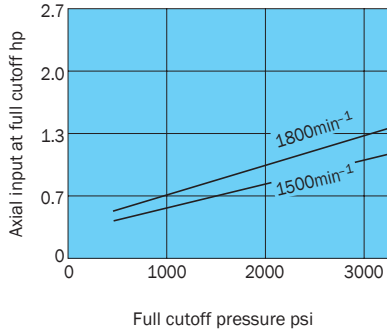


Discharge pressure P psi

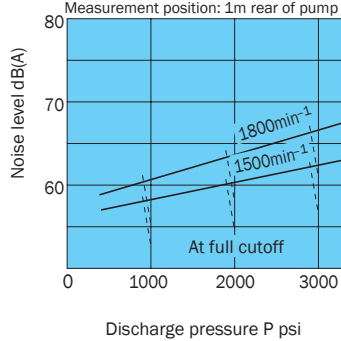
Discharge pressure P psi

Discharge pressure P psi

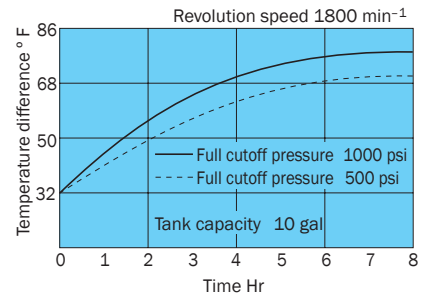
Axial Input at Full Cutoff



Noise Characteristics



Oil Temperature Rise Characteristics PVS-1B-16N1-12

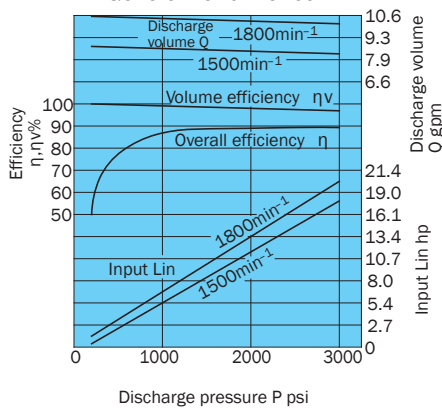


Performance Curves

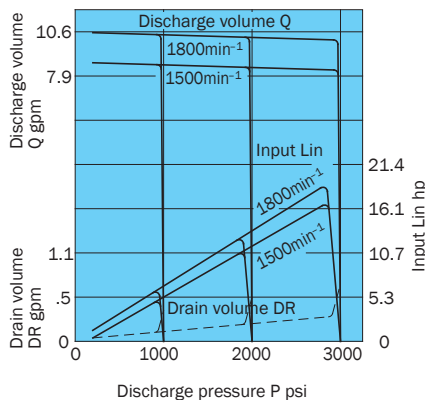
Curves Typical characteristics at hydraulic operating fluid kinematic viscosity of 32 centistokes

PVS-1B-22N*(Z)-E13

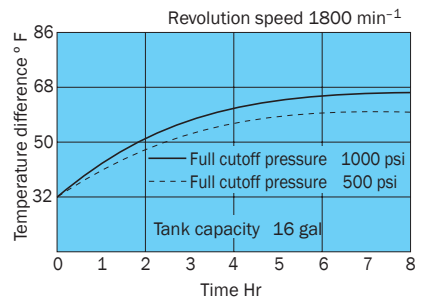
General Performance



Pressure - Flow Rate Characteristics



Axial Input

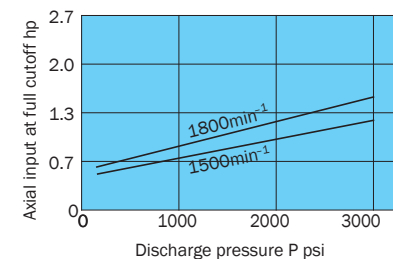


Discharge pressure P psi

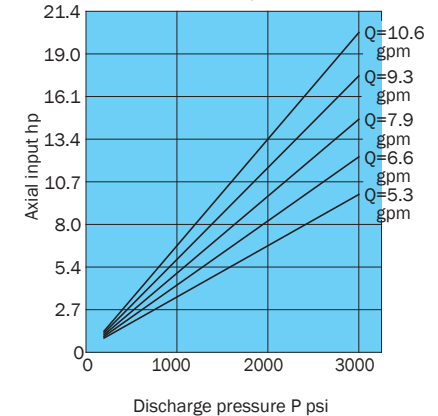
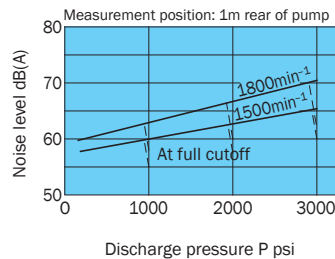
Discharge pressure P psi

Discharge pressure P psi

Axial input at full cutoff hp



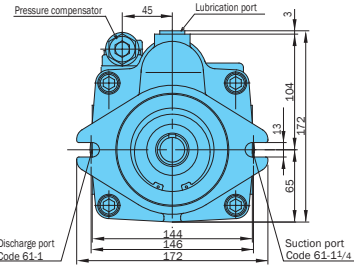
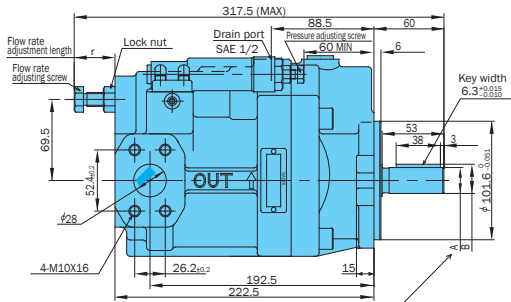
Noise Characteristics



Installation Dimension Drawing

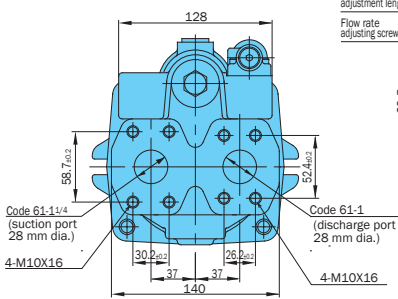
PVS-2B-35 N*(Z)-E13

SAE B Mount (side port type)



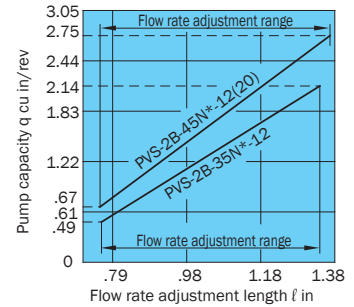
cm ³ /rev	Pressure Range	Design No.	A	B
35	0 to 3	12D	0.875	0.987
	0 to 2		0.874	0.986
45	3	20D	0.999	0.999
			0.998	0.998

(axial port type)

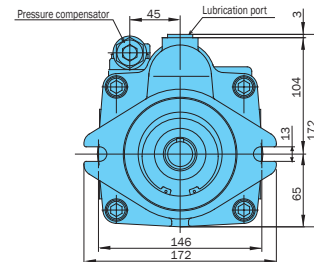


cm ³ /rev	Pressure Range	Design No.	A	B
35	0 to 3	12D	0.875	0.987
	0 to 2		0.874	0.986
45	3	20D	0.999	0.999
			0.998	0.998

Relationship between flow rate adjustment length (l) and pump capacity (q)



Set a flow rate adjustment length within the above range. Oil will leak if the pump is operated below the adjustment range lower limit.

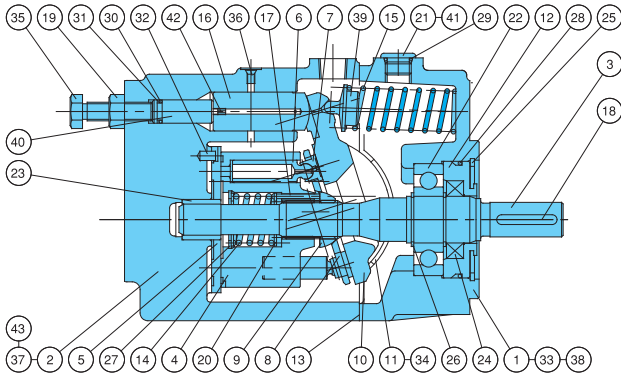


Part No.	Part Name	Part No.	Part Name	Part No.	Part Name
1	Body	146	Control piston	31	Backup ring
2	Case	172	Needle	32	Pin
3	Shaft	18	Key	33	Hexagon socket head bolt
4	Cylinder barrel	19	Nut	34	Cross-recessed countersunk head screw
5	Valve plate	20	Retainer	35	Flow rate adjusting screw
6	Piston	21	Plug		
7	Shoe	22	Ball bearing		
8	Shoe holder	23	Needle bearing		
9	Barrel holder	24	Oil seal	36	Metal plug
10	Swash plate	25	Snap ring	37	Nameplate
11	Thrust bush	26	Snap ring	38	CAUTION plate
12	Seal holder	27	Snap ring	39	Spring holder
13	Gasket	28	O-ring	40	Guide
14	Spring C	29	O-ring	41	Lubrication port plate
15	Spring S	30	O-ring	42	Orifice
				43	Rivet

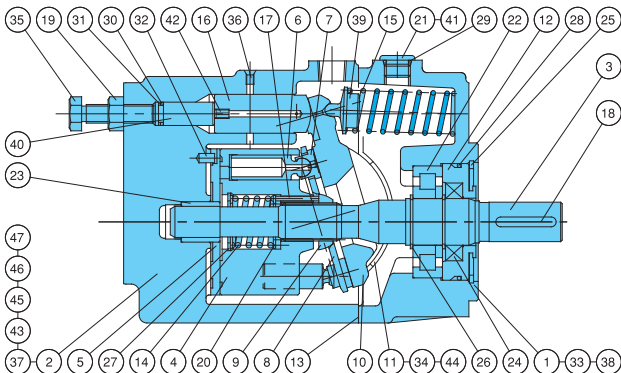
Cross-Sectional Drawing

PVS-2B-35 N*(Z)-E13

SAE B Mount



PVS-2B-45N3(Z)-E13



List of Sealing Parts (Kit Model Number PSS-102000-2A)

Part No.	Part Name	Q'ty	PVS-2B-35/45	
			Size	Remarks
* 13	Gasket	1	PS46-102000-0A	Nihon Gasket
* 24	Oil seal	1	TCN-305011Z	N.O.K
* 28	O-ring	1	1B-G70	JIS B 2401
29	O-ring	1	1B-P14	JIS B 2401
30	O-ring	1	1B-P11	JIS B 2401
31	Backup ring	1	T2-P11	JIS B 2407

Parts marked by an asterisk "*" are not available on the market. Consult your agent.

Part No.	Part Name	Part No.	Part Name	Part No.	Part Name
1	Body	17	Needle	33	Hexagon socket head bolt
2	Case	18	Key	34	Cross-recessed countersunk head screw
3	Shaft	19	Nut	35	Flow rate adjusting screw
4	Cylinder barrel	20	Retainer		
5	Valve plate	21	Plug		
6	Piston	22	Roller bearing		
7	Shoe	23	Needle bearing		
8	Shoe holder	24	Oil seal	36	Metal plug
9	Barrel holder	25	Snap ring	37	Nameplate
10	Swash plate	26	Snap ring	38	CAUTION plate
11	Thrust bush	27	Snap ring	39	Spring holder
12	Seal holder	28	O-ring	40	Guide
13	Gasket	29	O-ring	41	Lubrication port plate
14	Spring C	30	O-ring	42	Orifice
15	Spring S	31	Backup ring	43	Rivet
16	Control piston	32	Pin	44	Orifice
				45	Pin
				46	O-ring
				47	Plug

List of Sealing Parts (Kit Model Number PSBS-102220)

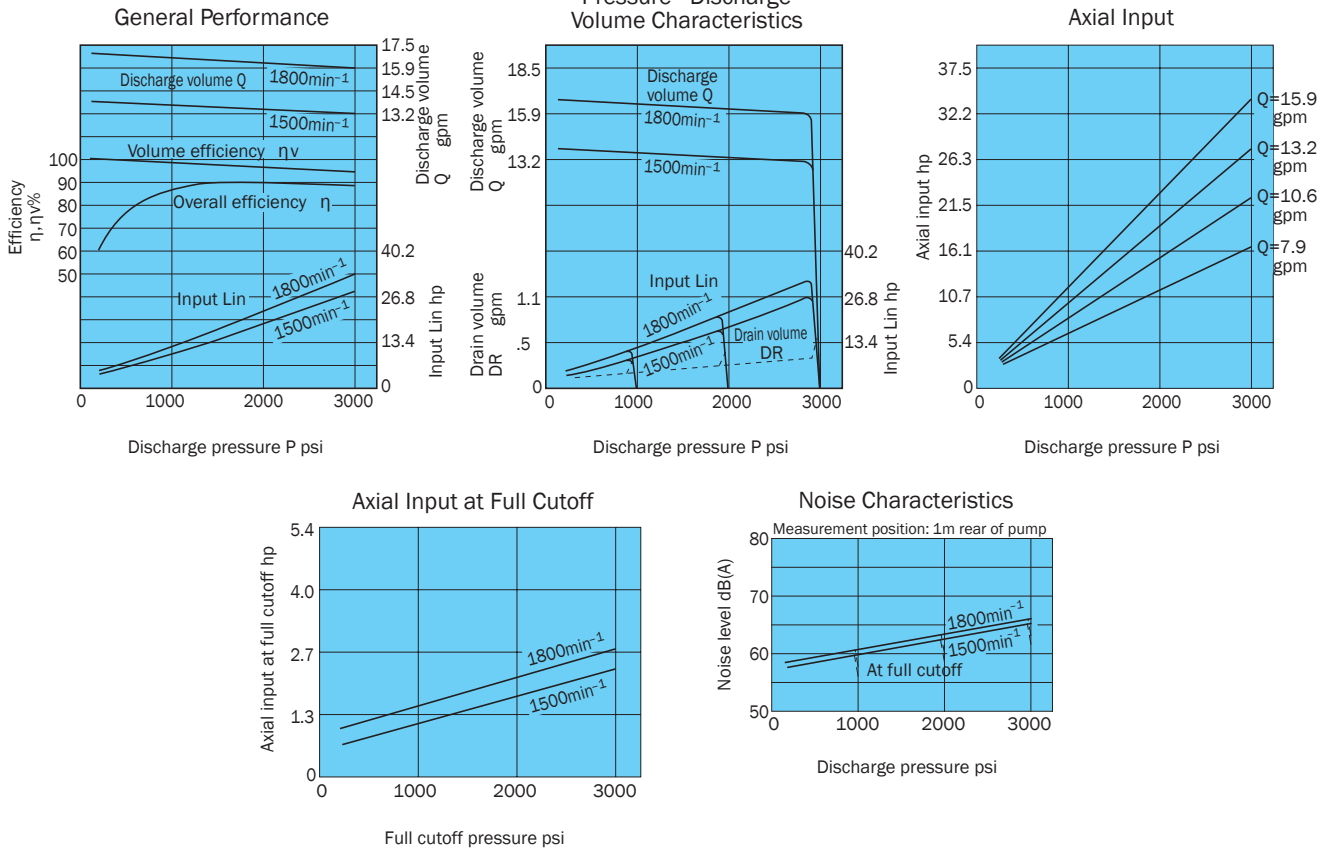
Part No.	Part Name	Q'ty	PVS-2B-45N3	
			Size	Remarks
* 13	Gasket	1	PS46-102000-0A	Nihon Gasket
* 24	Oil seal	1	TCN-305011Z	N.O.K
28	O-ring	1	1B-G70	JIS B 2401
29	O-ring	1	1B-P14	JIS B 2401
30	O-ring	1	1B-P11	JIS B 2401
46	O-ring	2	1B-P5	JIS B 2401
31	Backup ring	1	T2-P11	JIS B 2407

Parts marked by an asterisk "*" are not available on the market. Consult your agent.

Performance Curves

Typical characteristics at hydraulic operating fluid kinematic viscosity of 32 centistokes

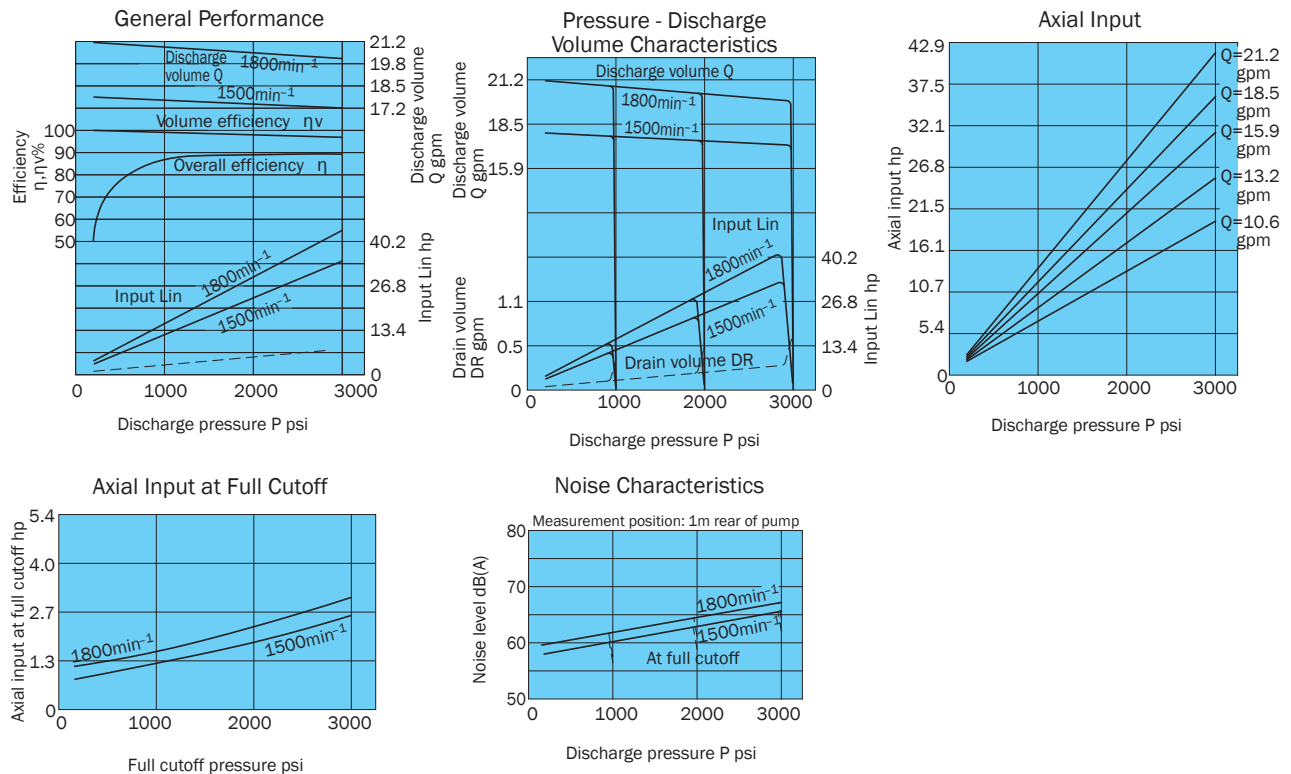
PVS-2B-35N*(Z)-E13



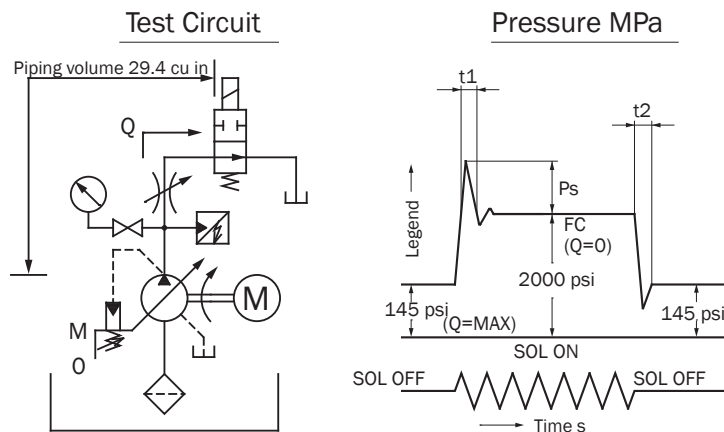
Performance Curves

Typical characteristics at hydraulic operating fluid kinematic viscosity of 32 centistokes

PVS-2B-45N*(Z)-E13



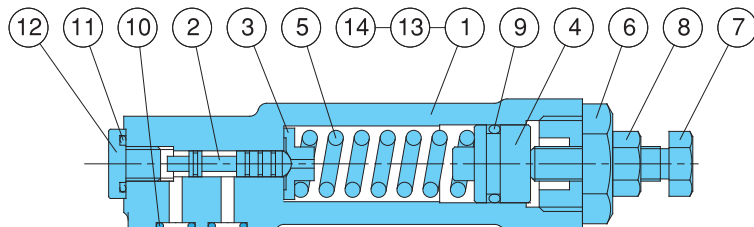
Response Performance



Model No.	Response Time (s)		Surge Pressure psi
	t_1	t_2	P_s
PVS-0B-8	0.03 to 0.04	0.04 to 0.06	290 to 580
PVS-1B-16	0.05 to 0.06	0.07 to 0.08	580 to 1000
PVS-1B-22	0.05 to 0.06	0.07 to 0.08	725 to 1160
PVS-2B-35	0.05 to 0.06	0.05 to 0.07	870 to 1300
PVS-2B-45	0.05 to 0.06	0.05 to 0.07	870 to 1300

Response performance changes according to pipe volume and size.
Use a surgeless valve to prevent surge pressure.

Pressure Compensator



Part No.	Part Name	Part No.	Part Name
1	Body	8	Nut
2	Spool	9	O-ring
3	Holder	10	O-ring
4	Plunger	11	O-ring
5	Spring	12	Plug
6	Retainer	13	Plug
7	Pressure adjusting bolt	14	Mounting bolt

List of Sealing Parts

Part No.	Name	Qty	Size
			For 0B, 1B, 2B
9	O-ring	1	1A-P14
10	O-ring	3	1B-P6
11	O-ring	1	1B-P10

Note: O-ring 1A/B-** refers to JIS B2401-1A/B.

Replacement Items

PVS Rotating Group

PVS-0B-8*E30	PSCG-100000-0F
PVS-1B-16*E13	PSG-101100-0A
PVS-1B-22*E13	PSG-101200-1E
PVS-2B-35*E13	PSG-102100-0A
PVS-2B-45*E13	PSG-102200-0A
PVS-2B-45N3*E20	

Includes Items 4,5,6 & 7

PVS Thrust Plate Item 11

PVS-0B-8*E30	PSC69-100000
PVS-1B-16*E13	PS69-101000
PVS-1B-22*E13	PS69-101000
PVS-2B-35*E13	PS69-102000
PVS-2B-45*E13	PS69-102000

Compensator Part Numbers

N0 - PSN-101000	P - ZR-G01-P-E2405C
N1 - PSN-101010	R - ZR-G01-R3-E2171B
N2 - PSN-101020	
N3 - PSN-101030	

Pressure Compensation Type (remote control mode)

Explanation of Model No.: **PVS - 0 B - 8 P * - E30**

Design No.
E30: PVS-0*
E12: PVS-1*, PVS-2 *
E20: PVS-2*45P3 only

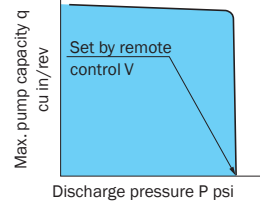
Pressure adjustment range
0: 286 - 500
1: 286 - 1000
2: 429 - 2000
3: 429 - 3000

P: Pressure compensation type (remote control mode)

Max. pump capacity (cm³/rev)
Nominal 8, 16, 22, 35, 45

Pump size 0, 1, 2

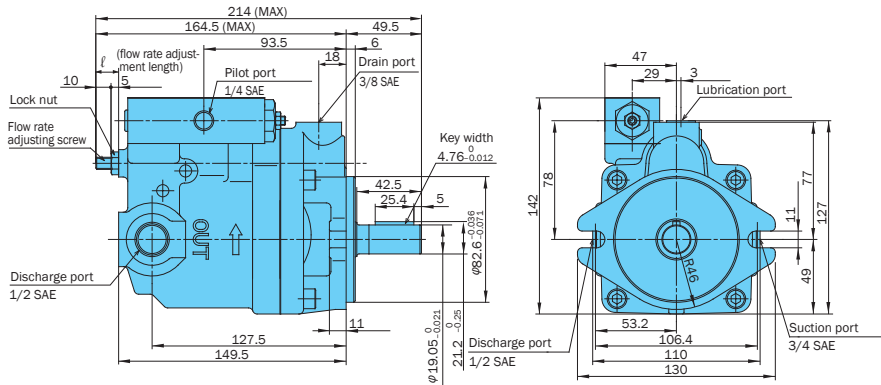
P-Q Characteristics



Installation Dimension Drawing

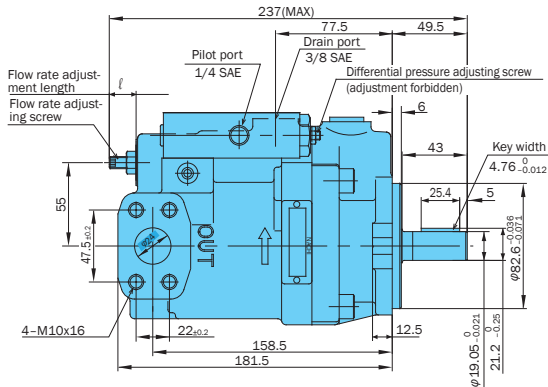
The ZR-T02-*5895* is the recommended remote control valve. Provide piping to the remote control valve at a pipe volume of 9 cu in or less.

PVS-0B-8P*-E30

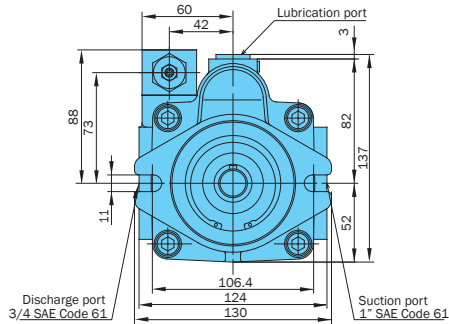


SAE A Mount

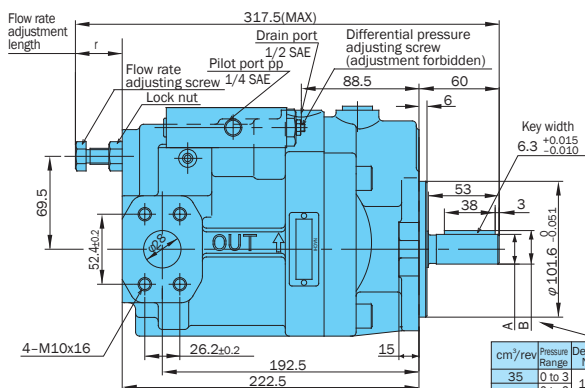
PVS-1B-¹⁶/₂₂ P*-E13



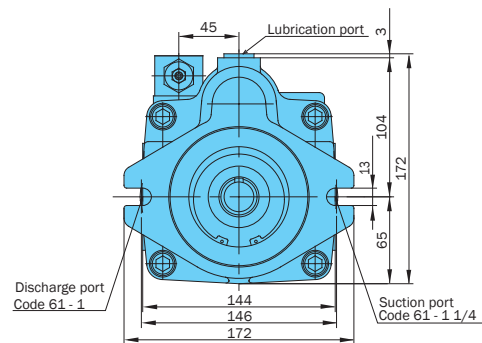
SAE A Mount



PVS-2B-³⁵/₄₅ P*-E13



SAE B Mount



cm ³ /rev	Pressure Range	Design No.	A	B
35	0 to 3	12D	0.875	0.987
	0 to 2		0.874	0.978
45		3	0.998	1.096
		20D	0.998	1.087

2-Pressure, 2-Flow Rate Control Type

Explanation of model No.: **PVS -- 1 B -- 16 N 3 Q 1 -- E13**

Design No.
E13: PVS-1 *, PVS-2 *
E20: PVS-2 *-45N3Q*

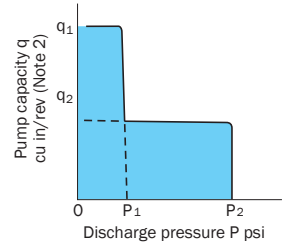
Pressure adjustment range
N*: High-pressure adjustment range,
P2 (Set to lowest pressure before shipping)
Q*: Low-pressure adjustment range,
P1 (Set to 3.5 MPa before shipping)
0: 286 - 500 psi
1: 286 - 1000 psi
2: 429 - 2000 psi
3: 429 - 3000 psi

NQ: 2-pressure, 2-flow rate control

Max. pump capacity (cm³/rev) Nominal 16, 22, 35, 45

Pump size 1, 2

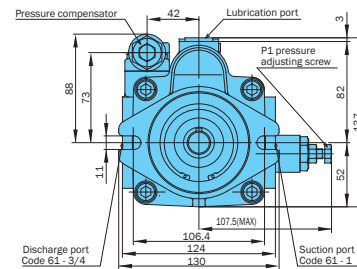
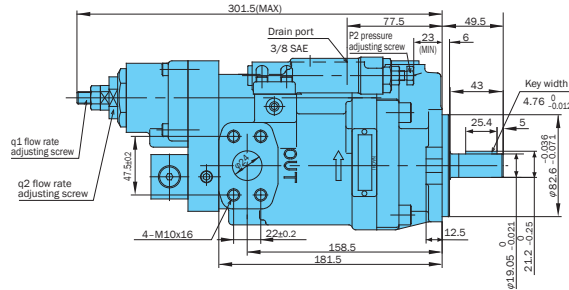
P-Q Characteristics



Installation Dimension Drawing

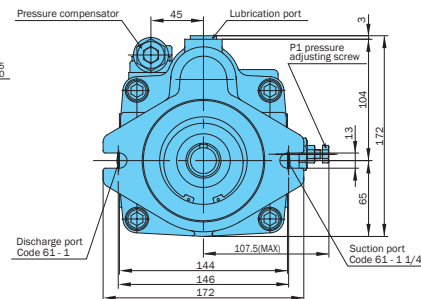
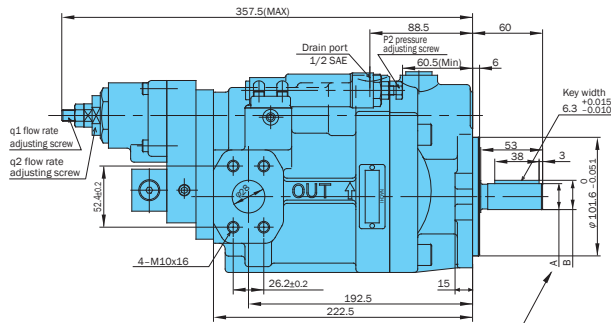
PVS-1B-¹⁶/₂₂ N*Q*-E13

SAE A Mount



PVS-2B-³⁵/₄₅ N*Q*-E13(E20)

SAE B Mount

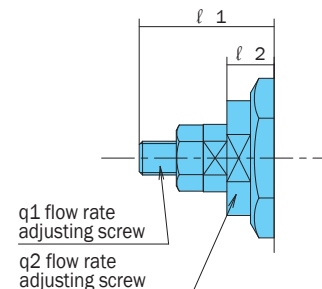


cm ³ /rev	Pressure Range	Design No.	A	B
35	0 to 3	12D	0.875	0.987
			0.874	0.978
45	3	20D	0.999	1.096
			0.998	1.087

Pump Model No.	q ₂ Adjustment Range (in ³ /rev)	Default q ₂ (Setting in ³ /rev)
PVS-1B-16	.12 to 0.6	.2
PVS-1B-22	.12 to .79	.26
PVS-2B-35	.12 to 1.16	.42
PVS-2B-45	.18 to 1.46	.54

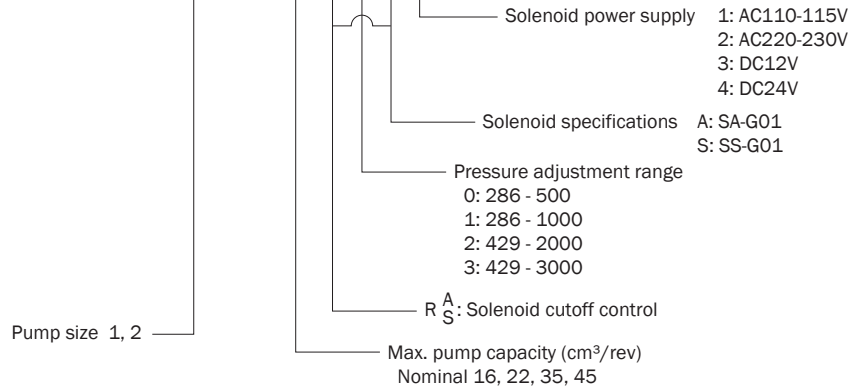
Note 1: The setting range of maximum pump capacity q₁ varies according to the setting of q₂.

Note 2: Overall efficiency at a low flow rate is worse than at the maximum flow rate. Pay attention to this when selecting the motor capacity for the drive.

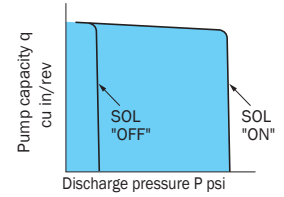


Solenoid Cutoff Control Type

Explanation of Model No.: **PVS -- 1 B -- 16 R 2 S 1 -- E13**

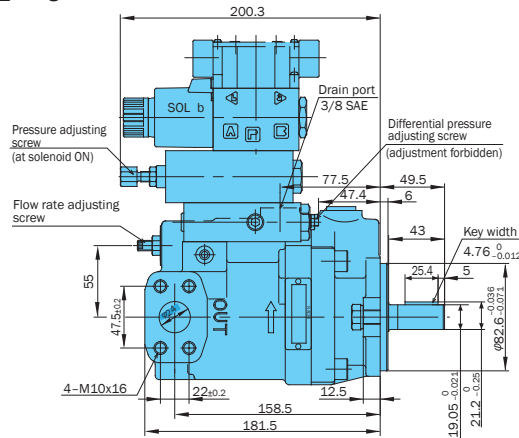


P-Q Characteristics

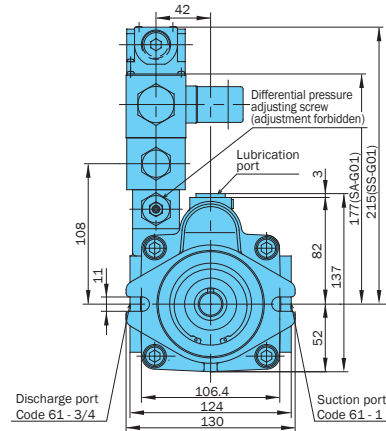


Installation Dimension Drawing

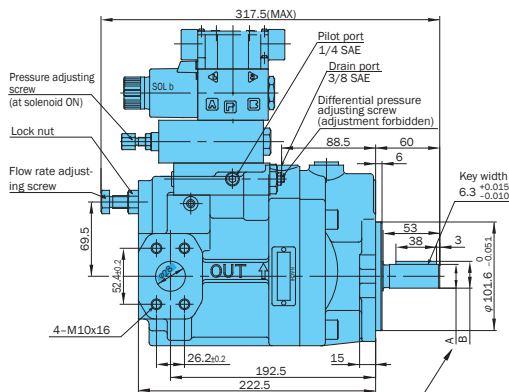
PVS-1B-¹⁶/₂₂R^AS*-E13



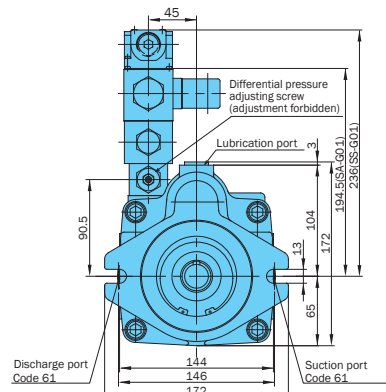
SAE A Mount



PVS-2B-³⁵/₄₅R^AS*-E13



SAE B Mount

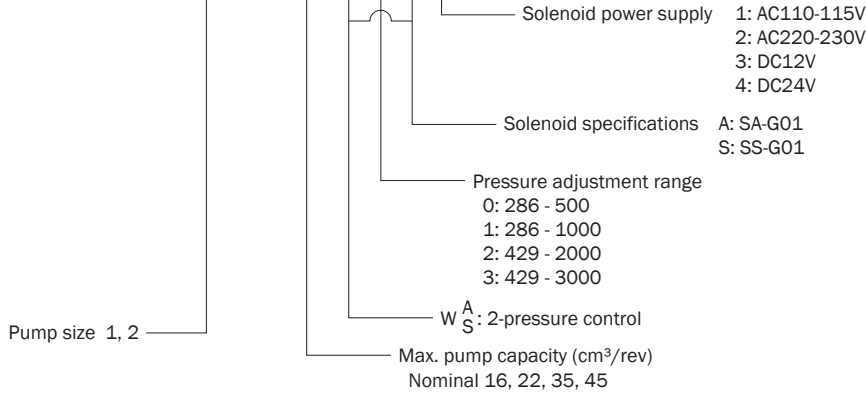


cm ³ /rev	Pressure Range	Design No.	A	B
35	0 to 3	12D	0.875	0.987
	0 to 2		0.874	0.978
45		20D	0.999	1.096
			0.998	1.087

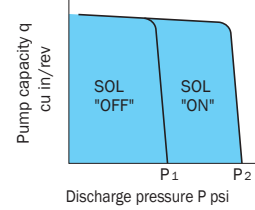
■ The coil surface temperature increases if this pump is kept continuously energized.
 Do not touch the surface of the coil directly with your hands.

2-Pressure Control Type

Explanation of model No.: **PVS -- 1 B -- 16 W 2 S 1 -- E13**

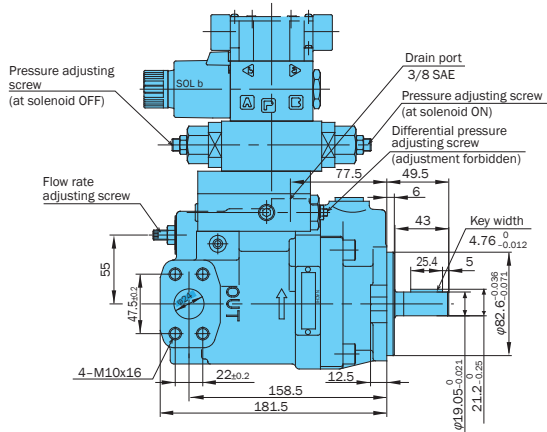


P-Q Characteristics

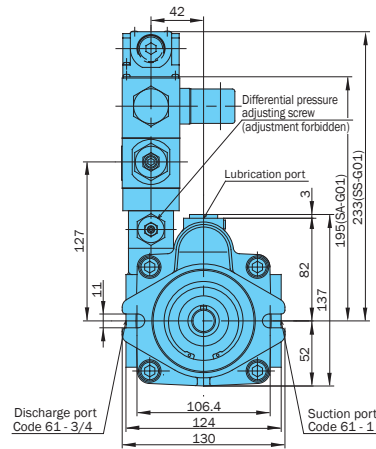


Installation Dimension Drawing

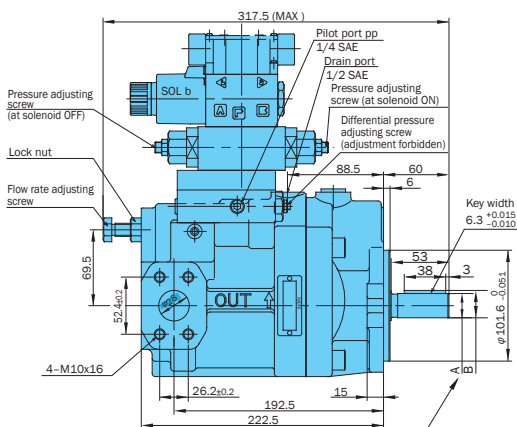
PVS-1B-¹⁶₂₂ W^A_S *E13



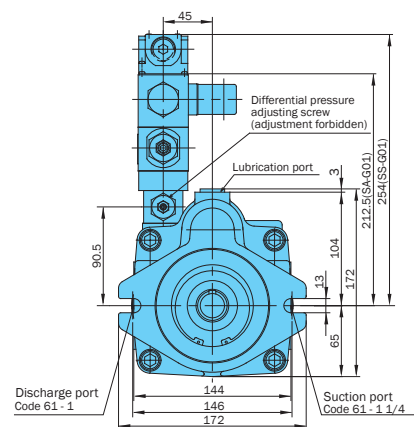
SAE A Mount



PVS-2B-³⁵₄₅ W^A_S *E13



SAE B Mount

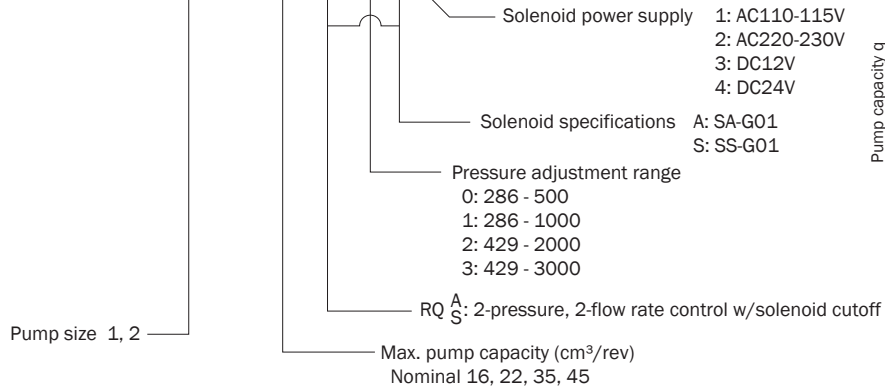


cm ³ /rev	Pressure Range	Design No.	A	B
35	0 to 3	12D	0.875	0.987
	0 to 2		0.874	0.978
45	3	20D	0.999	1.096
			0.998	1.087

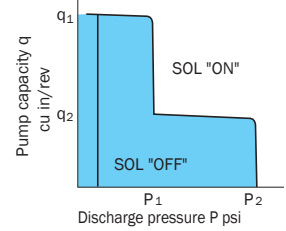
■ The coil surface temperature increases if this pump is kept continuously energized. Do not touch the surface of the coil directly with your hands.

2-Pressure, 2-Flow Rate Control Type w/Solenoid Cutoff

Explanation of Model No.: **PVS -- 1 B -- 16 RQ 2 S 1 -- E13**



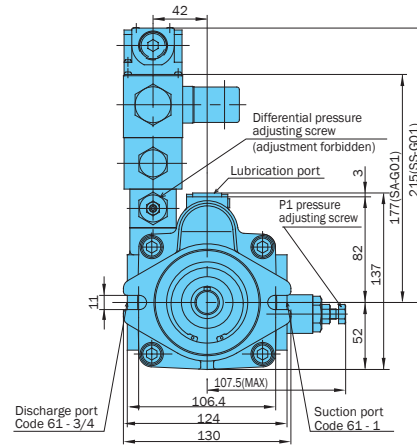
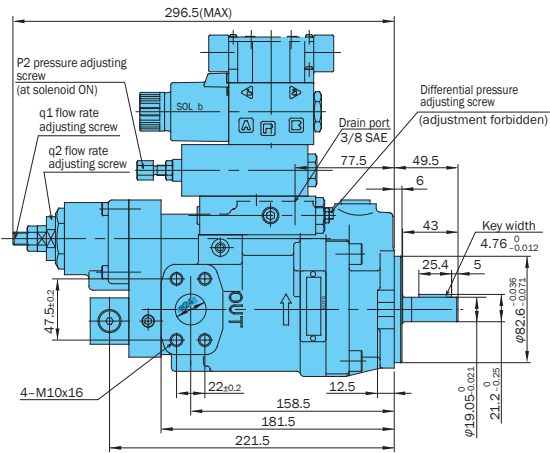
P-Q Characteristics



Installation Dimension Drawing

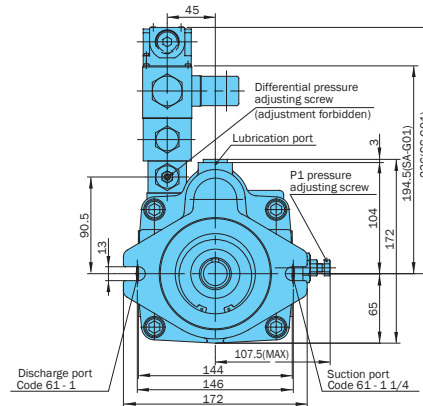
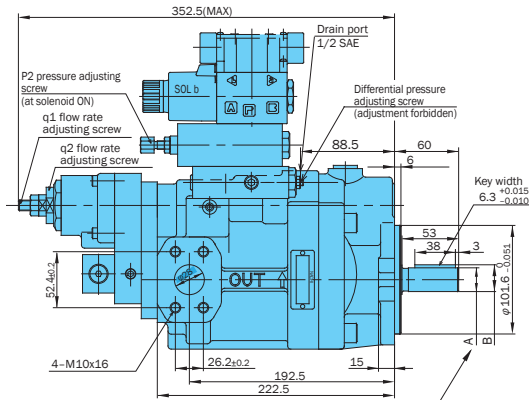
PVS-1B-16 RQ * A S * -E13

SAE A Mount



PVS-2B-35 RQ * A S * -E20

SAE B Mount

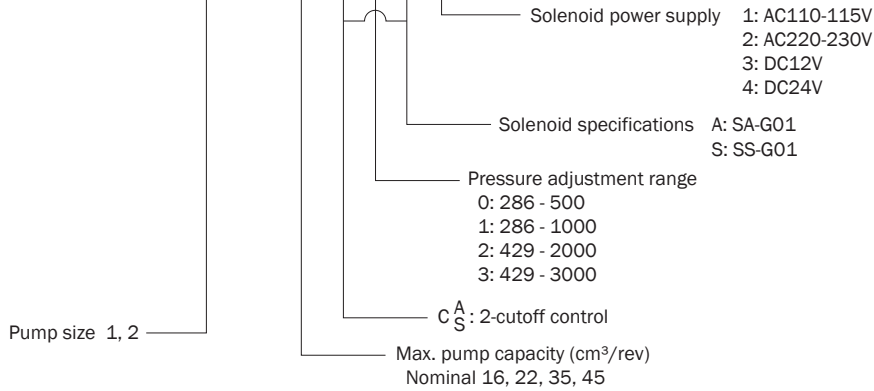


cm ³ /rev	Pressure Range	Design No.	A	B
35	0 to 3	12D	0.875	0.987
			0.874	0.978
45	3	20D	0.999	1.096
			0.998	1.087

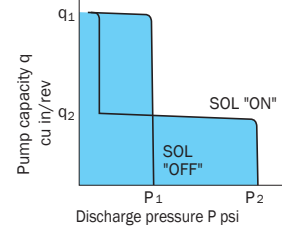
■ The coil surface temperature increases if this pump is kept continuously energized.
Do not touch the surface of the coil directly with your hands.

2-Cutoff Control Type

Explanation of Model No.: **PVS -- 1 B -- 16 C 2 S 1 -- E13**



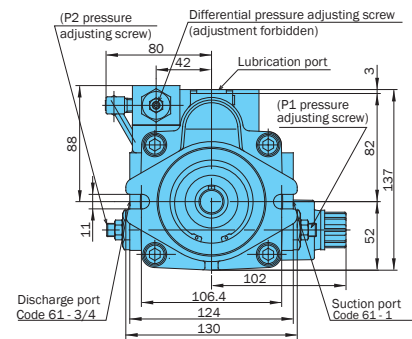
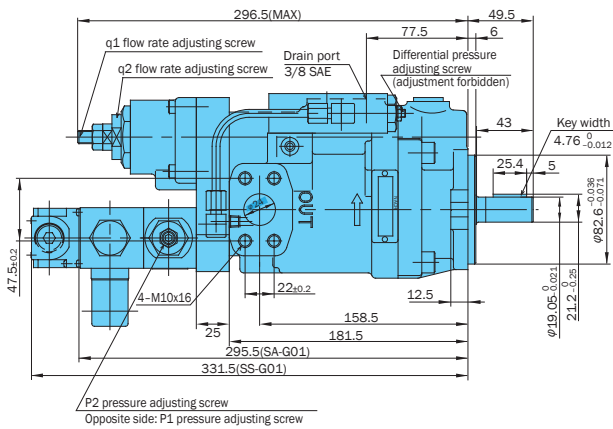
P-Q Characteristics



Installation Dimension Drawing

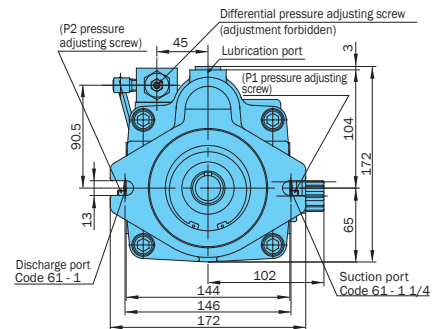
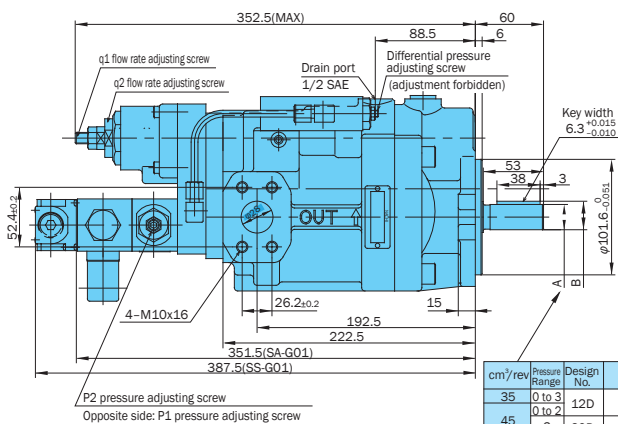
PVS-1B-¹⁶/₂₂ C*^A/_S-E13

SAE A Mount



PVS-2B-³⁵/₄₅ C*^A/_S-E20

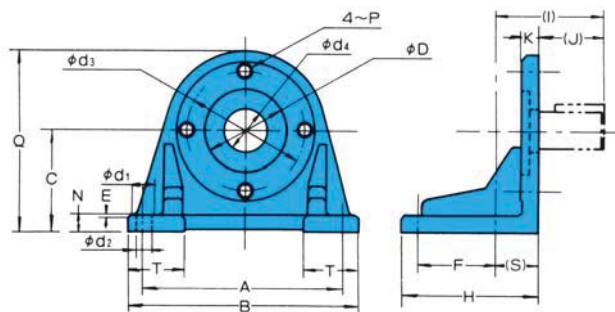
SAE B Mount



cm ³ /rev	Pressure Range	Design No.	A	B
35	0 to 3	12D	0.875	0.987
45	0 to 2		0.874	0.978
	3	20D	0.999	1.096
			0.998	1.087

- The coil surface temperature increases if this pump is kept continuously energized. Do not touch the surface of the coil directly with your hands.

Foot Mounting Kit



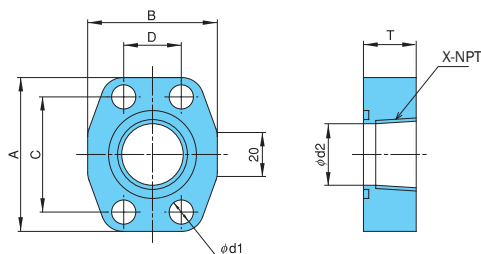
Kit Model No.	Applicable Pump Model No.	Accessories				Dimensions				
		Bolt	Q'ty	Washer	Q'ty	A	B	C	E	F
IHM-2-10	PVS-0B PVS-1B	TB-10 ×30	2	WP-10	2	127	152.5	69.8	1	50.8
IHM-4-10	PVS-2B	TB-12 ×30	2	WP-12	2	220.7	246	107.95	1	114.3

Kit Model No.	Dimensions														Weight kg
	H	(I)	(J)	K	N	P	Q	(S)	T	ϕD	ϕd_1	ϕd_2	ϕd_3	ϕd_4	
IHM-2-10	96	64.5	32	17.5	13	M10	135	32.5	36.5	82.6	22	11	106.4	50	2.0
IHM-4-10	140	56.7	44	16	16	M12	195.5	12.7	53	101.6	22	11	146	40	5.5

When only the mounting feet are required, the pump mounting bolts, washers and other parts are sold together as the Foot Mounting Kit.

Piping Flange Kit

For PVS-1B, 2B



Applicable Pump Model No.	PVS-1B-16/22		PVS-2B-35/45	
	PSF-101000		PSF-102000	
Plunger Kit model No.	Suction port	Discharge port	Suction port	Discharge port
A	70	65	79	70
B	59	52	73	59
C	52.4	47.5	58.7	52.4
D	26.2	22.0	30.2	26.2
T	24	24	28	24
ϕd_1	$\phi 11$	$\phi 11$	$\phi 11$	$\phi 11$
ϕd_2	$\phi 28$	$\phi 22$	$\phi 37$	$\phi 28$
X	1	3/4	1-1/4	1
Mounting bolt	TH-10 ×40	TH-10 ×40	TH-10 ×45	TH-10 ×40
Washer	WS-B-10	WS-B-10	WS-B-10	WS-B-10
O-ring	1B-G35	1B-G30	1B-G45	1B-G35
Weight lbs	1.3	1.1	1.6	1.3

Notes: 1. The piping flange is on sale in the Flange Kit which includes mounting bolts, washers and O-rings.

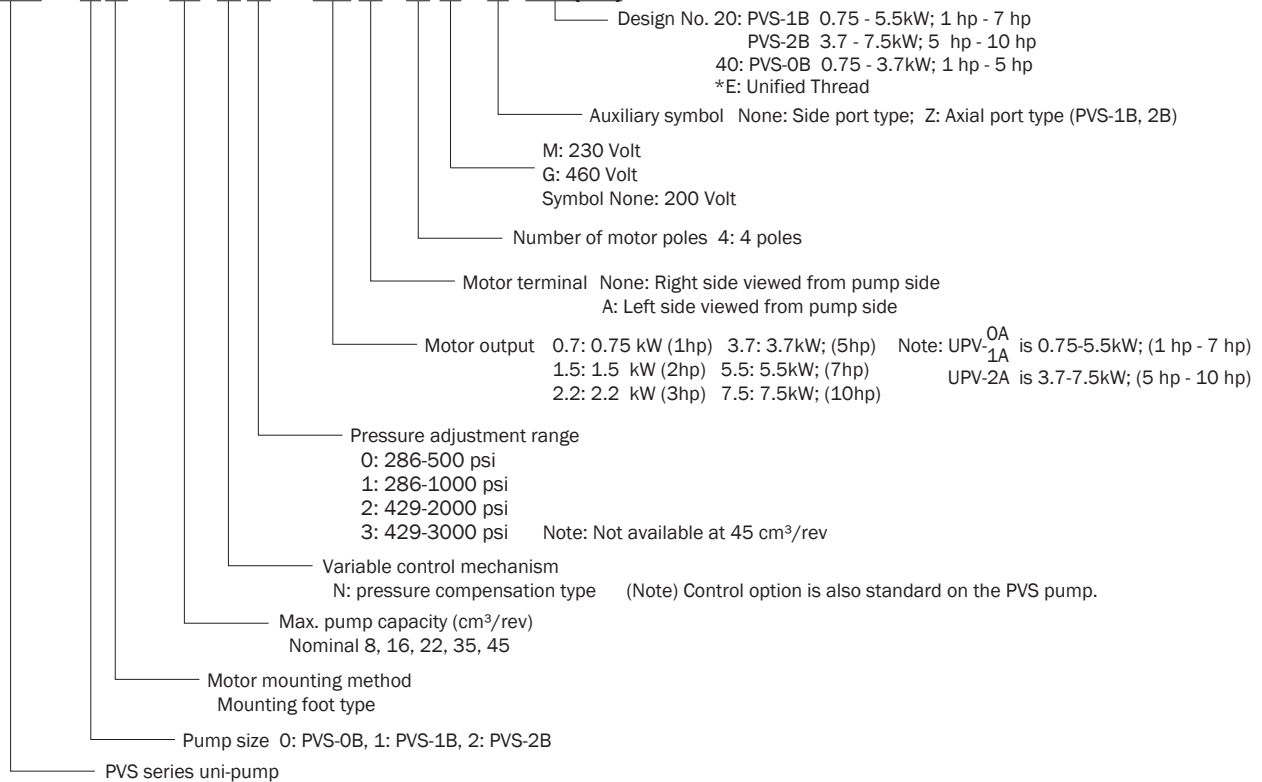
2. O-ring 1B/B-** refers to JIS B2401-1B.

3. For details on tightening torque, see page C-11.

Uni-Pump Specifications

Explanation of Model No.:

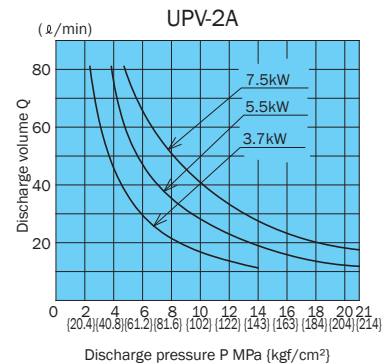
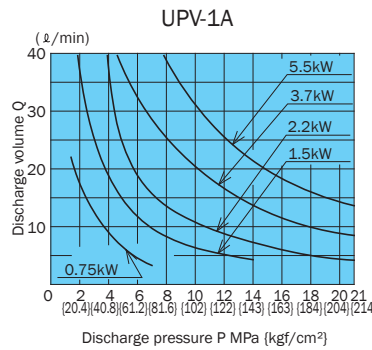
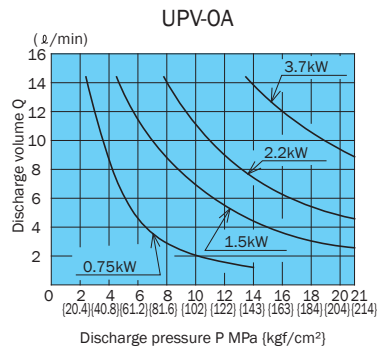
UPV -- 1 A -- 16 N 1 -- 1.5 * -- 4 * * -- *20(40)



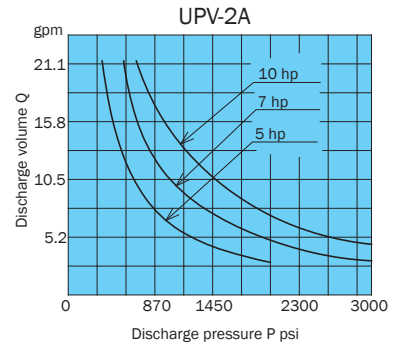
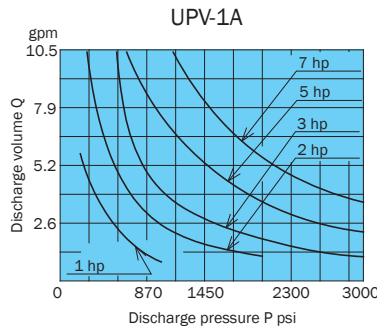
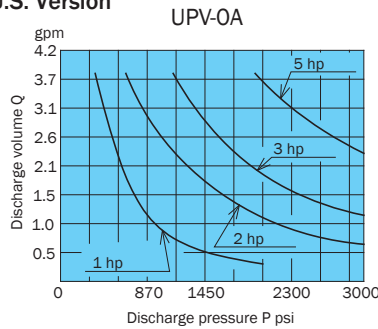
*This Uni-Pump is the metric version from Japan

Motor selection curves

Metric Version



U.S. Version

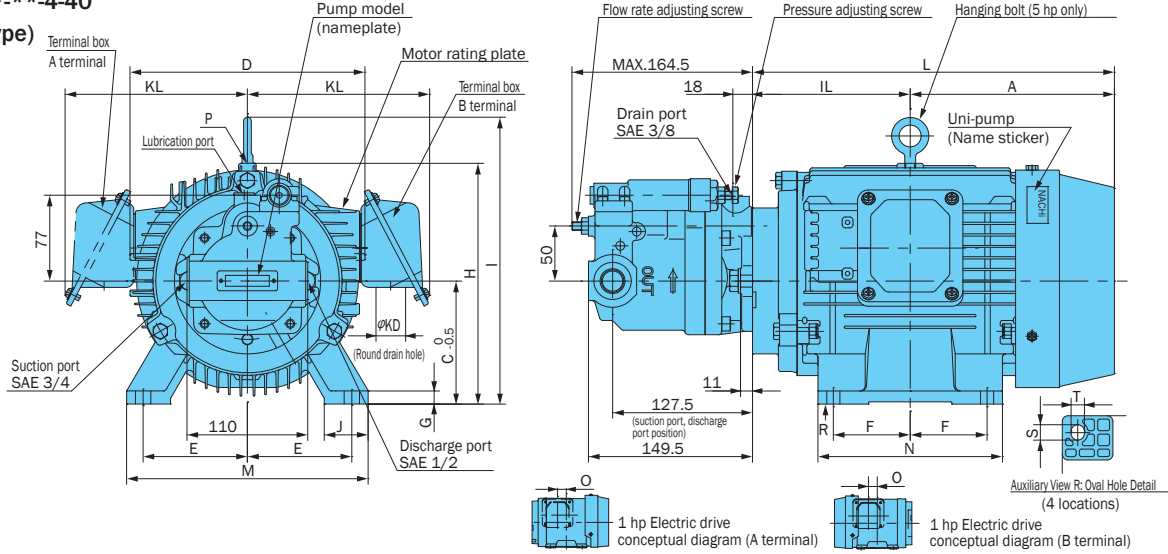


• How to select the motor
 The lower side of the output curves for each of the motors shown above indicates the operating range under rated output for that motor.

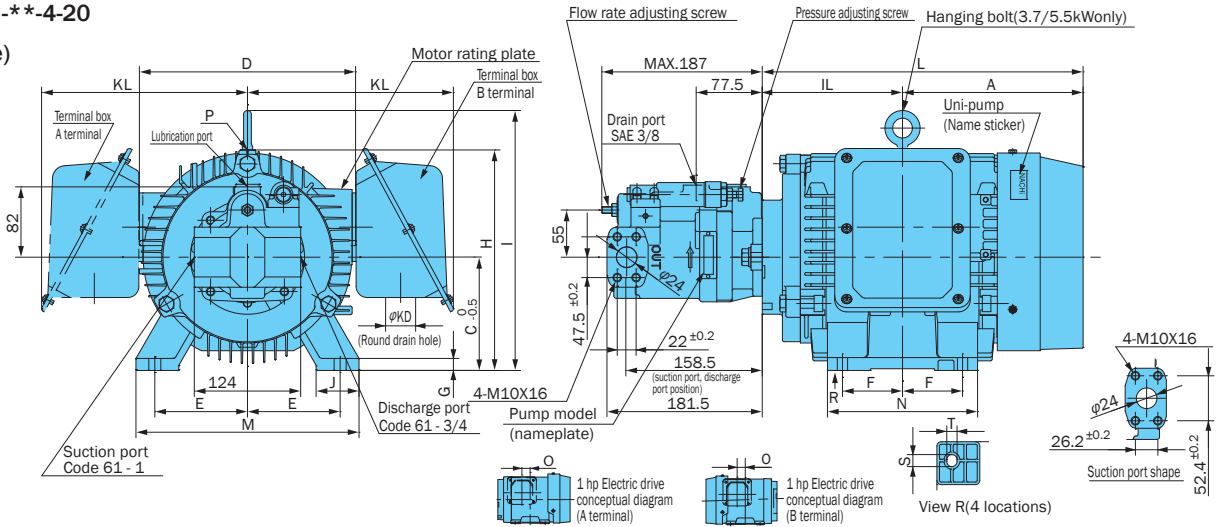
* Select a uni-pump that has a pressure and flow rate that is within the range of the drive so that the drive will not overload

Installation Dimension Drawings

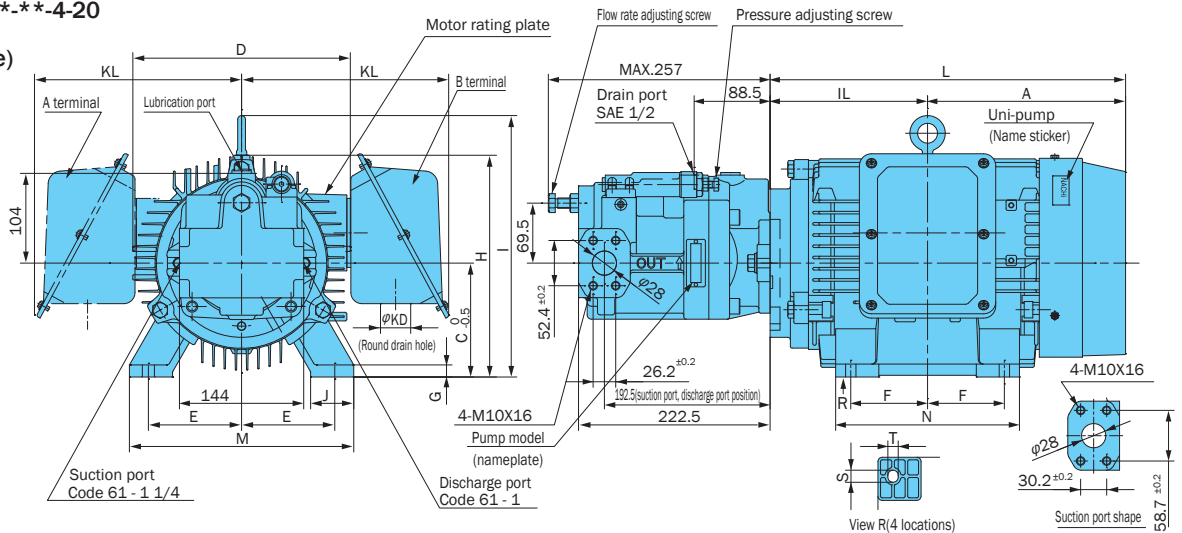
UPV-0A-8-*-4-40**
(side port type)



UPV-1A-16-*-4-20**
22
(side port type)



UPV-2A-35-*-4-20**
45
(side port type)



*These Pumps are Metric Versions from Japan

1. Drive motor is fully enclosed fan cooled, 1 to 5 hp is E type, and 7 to 10 hp is B type.
2. Standard voltage for drive motor is 200 VAC, 50/60 Hz or 220 VAC, 60 Hz; EM - 230 VAC, EG - 460 VAC
3. Viewed from the pump side, suction port is on the left and discharge port is on the right.
4. Broken lines indicate instances for the A terminal. Broken lines pass through to the other side of the pump along its center.

Note: A terminal measurements are in parentheses ().

Motor Specifications

Output hp	Motor Dimensions																	Frame No.	Weight lbs
	A	IL	C	D	E	F	G	H	I	J	L	M	N	S×T	KD	KL	O		
1	133	107.5	80	170	62.5	50	4.5	165	-	35	240.5	165	130	18×10	φ27	157	27.5	80M	14.5
2	143	118.5	90	198	70	62.5	10	190	-	40	261	176	150	12×10	φ27	159	-	90L	16
3	157.5	133	100	198	80	70	12	200	-	40	290.5	200	168	14×12	φ27	159	-	100L	21
5	186	143.5	112	214	95	70	12	-	261	40	329.5	220	168	14×12	φ27	166	-	112M	27
7	210.5	163.5	132	252	108	70	15	-	303	50	374	260	175	14×12	φ35	240	-	132S	42
10	229.5	182.5	132	252	108	89	15	-	303	50	412	260	213	14×12	φ35	240	-	132M	48

Characteristics of drive motor for unipump (domestic standard 3 rating)

Output hp	Poles	(Note1) Model Number TYPE (N)	Voltage [V]	Frequency [Hz]	Current rating [A]	RPM rating [min ⁻¹]	Heat resistance
.5	4	VBDA (VDS series only)	200	50	2.2	1400	B
			200	60	2.0	1680	
			230-460	60	2.0	1710	
1	4	V*DA-*A4*07	200	50	3.8	1410	B
			200	60	3.4	1690	
			230-460	60	3.4	1720	
2	4	V*DA-*A4*15	200	50	7.0	1410	B
			200	60	6.2	1690	
			230-460	60	6.0	1710	
3	4	V*DA-*A4*22	200	50	9.8	1400	B
			200	60	8.9	1680	
			230-460	60	8.5	1710	
5	4	V*DA-*A4*37	200	50	16.0	1410	B
			200	60	14.8	1690	
			230-460	60	14.0	1710	
7	4	V*DA-*A4*55	200	50	23.8	1430	B
			200	60	21.0	1730	
			230-460	60	20.0	1740	
10	4	V*DA-*A4*75	200	50	31.8	1435	B
			200	60	28.2	1730	
			230-460	60	27.0	1740	

- The asterisks * indicate variations in the hydraulic pump series, size, and position of terminal box. Check the ratings sticker on the top of the drive motor.
- Contact us for variations in voltage.